

Stainless Steel-Levelling feet

without fixing lug

SPECIFICATION

Types (Base plate)

- Type **BO**: without rubber pad, with 2 fixing bores
- Type **DO**: without rubber pad
- Type **D1**: rubber clipped on, black
- Type **D3**: rubber vulcanised, black

Version

- Version **S**: without nut, External hexagon at the bottom
- Version **SK**: with nut, External hexagon at the bottom
- Version **T**: without nut, Wrench flat at the bottom, "not dipping" version
- Version **TK**: with nut, Wrench flat at the bottom, "not dipping" version
- Version **U**: without nut, Hexagon socket at the top, Wrench flat at the bottom
- Version **UK**: with nut, Hexagon socket at the top, Wrench flat at the bottom
- Version **V**: without nut, External hexagon at the top, Wrench flat at the bottom
- Version **VK**: with nut, External hexagon at the top, Wrench flat at the bottom
- Version **W**: with adjustable sleeve, Wrench flat at the bottom
- Version **X**: with female thread, External hexagon

Base plate, blank ground
Stainless Steel AISI 304

Threaded stem
Stainless Steel AISI 303

Hexagon nut ISO 4032
Stainless Steel AISI 304

Rubber cap, clipped on
black, Santoprene® (TPE) 80 ≈ Shore A

Rubber underlay, vulcanised
black, Perbunan® (NBR) 70 ± Shore A

INFORMATION

Stainless Steel-Levelling feet GN 41 are easy and very reasonably priced foot design variants.
They will be delivered mounted and are not removable.

TECHNICAL INFORMATION

- Stainless Steel characteristics (see page A26)
- Elastomer characteristics (see page A32)



LOAD RATING OF STAINLESS STEEL-LEVELLING FEET

Information

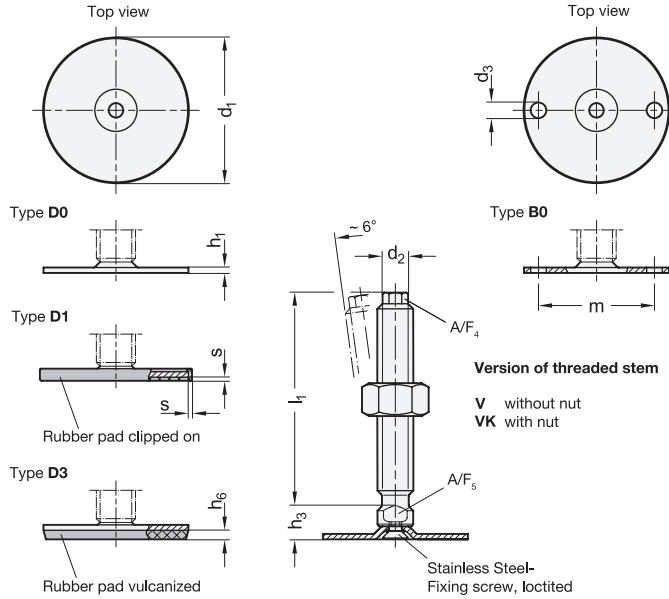
The static load bearing capacity given in the table rests on a test series in which the load has been applied perpendicular to the base plate (without rubber pad). For the values given in the table, the strain relief may result in minor deformations of the base plate.

Bending and buckling stress which often occurs in practice results in a lower load bearing capacity of the adjustment spindle and may have to be taken into account.

Also, the spindle strength is assumed to be $\geq 500 \text{ N/mm}^2$.

The details given on strength are nonbinding guide values without any liability. In general, they do not constitute a warranty of quality.

The user must determine from case to case if a product is suitable for the intended purpose or use. Environmental factors may influence the stated values.



* Complete with version of Levelling feet (External hexagon socket on the top/Wrench flat at the bottom)

V without nut
VK with nut

GN 41-V/VK STAINLESS STEEL

| Description | d1 | d2 | l1 | d3 | m | h1 | h3 | h6 | A/FA/F | | Static load in kN | ⚖️ | |
|-----------------------|----|-----|-----|-----|----|-----|----|-----|--------|----|-------------------|----|-----|
| | | | | | | | | | 4 | 5 | | | |
| GN 41-60-M16-75-B0-* | 60 | M16 | 75 | 6.6 | 48 | 2.5 | 14 | - | - | 10 | 12 | 16 | 76 |
| GN 41-60-M16-75-D0-* | 60 | M16 | 75 | - | - | 2.5 | 14 | - | - | 10 | 12 | 16 | 136 |
| GN 41-60-M16-75-D1-* | 60 | M16 | 75 | - | - | 2.5 | 14 | - | 2 | 10 | 12 | 16 | 138 |
| GN 41-60-M16-75-D3-* | 60 | M16 | 75 | - | - | 2.5 | 14 | 4.5 | - | 10 | 12 | 16 | 134 |
| GN 41-60-M16-100-B0-* | 60 | M16 | 100 | 6.6 | 48 | 2.5 | 14 | - | - | 10 | 12 | 16 | 187 |
| GN 41-60-M16-100-D0-* | 60 | M16 | 100 | - | - | 2.5 | 14 | - | - | 10 | 12 | 16 | 191 |
| GN 41-60-M16-100-D1-* | 60 | M16 | 100 | - | - | 2.5 | 14 | - | 2 | 10 | 12 | 16 | 195 |
| GN 41-60-M16-100-D3-* | 60 | M16 | 100 | - | - | 2.5 | 14 | 4.5 | - | 10 | 12 | 16 | 199 |
| GN 41-60-M16-125-B0-* | 60 | M16 | 125 | 6.6 | 48 | 2.5 | 14 | - | - | 10 | 12 | 16 | 219 |
| GN 41-60-M16-125-D0-* | 60 | M16 | 125 | - | - | 2.5 | 14 | - | - | 10 | 12 | 16 | 223 |
| GN 41-60-M16-125-D1-* | 60 | M16 | 125 | - | - | 2.5 | 14 | - | 2 | 10 | 12 | 16 | 227 |
| GN 41-60-M16-125-D3-* | 60 | M16 | 125 | - | - | 2.5 | 14 | 4.5 | - | 10 | 12 | 16 | 231 |
| GN 41-60-M16-150-B0-* | 60 | M16 | 150 | 6.6 | 48 | 2.5 | 14 | - | - | 10 | 12 | 16 | 252 |
| GN 41-60-M16-150-D0-* | 60 | M16 | 150 | - | - | 2.5 | 14 | - | - | 10 | 12 | 16 | 256 |
| GN 41-60-M16-150-D1-* | 60 | M16 | 150 | - | - | 2.5 | 14 | - | 2 | 10 | 12 | 16 | 260 |
| GN 41-60-M16-150-D3-* | 60 | M16 | 150 | - | - | 2.5 | 14 | 4.5 | - | 10 | 12 | 16 | 266 |
| GN 41-80-M16-75-B0-* | 80 | M16 | 75 | 8.5 | 48 | 3 | 15 | - | - | 10 | 12 | 20 | 109 |
| GN 41-80-M16-75-D0-* | 80 | M16 | 75 | - | - | 3 | 15 | - | - | 10 | 12 | 20 | 109 |
| GN 41-80-M16-75-D1-* | 80 | M16 | 75 | - | - | 3 | 15 | - | 2 | 10 | 12 | 20 | 114 |
| GN 41-80-M16-75-D3-* | 80 | M16 | 75 | - | - | 3 | 15 | 5 | - | 10 | 12 | 20 | 114 |
| GN 41-80-M16-100-B0-* | 80 | M16 | 100 | 8.5 | 64 | 3 | 15 | - | - | 10 | 12 | 20 | 150 |
| GN 41-80-M16-100-D0-* | 80 | M16 | 100 | - | - | 3 | 15 | - | - | 10 | 12 | 20 | 190 |
| GN 41-80-M16-100-D1-* | 80 | M16 | 100 | - | - | 3 | 15 | - | 2 | 10 | 12 | 20 | 265 |
| GN 41-80-M16-100-D3-* | 80 | M16 | 100 | - | - | 3 | 15 | 5 | - | 10 | 12 | 20 | 275 |
| GN 41-80-M16-125-B0-* | 80 | M16 | 125 | 8.5 | 64 | 3 | 15 | - | - | 10 | 12 | 20 | 284 |
| GN 41-80-M16-125-D0-* | 80 | M16 | 125 | - | - | 3 | 15 | - | - | 10 | 12 | 20 | 285 |
| GN 41-80-M16-125-D1-* | 80 | M16 | 125 | - | - | 3 | 15 | - | 2 | 10 | 12 | 20 | 297 |
| GN 41-80-M16-125-D3-* | 80 | M16 | 125 | - | - | 3 | 15 | 5 | - | 10 | 12 | 20 | 307 |
| GN 41-80-M16-150-B0-* | 80 | M16 | 150 | 8.5 | 64 | 3 | 15 | - | - | 10 | 12 | 20 | 317 |
| GN 41-80-M16-150-D0-* | 80 | M16 | 150 | - | - | 3 | 15 | - | - | 10 | 12 | 20 | 319 |
| GN 41-80-M16-150-D1-* | 80 | M16 | 150 | - | - | 3 | 15 | - | 2 | 10 | 12 | 20 | 330 |
| GN 41-80-M16-150-D3-* | 80 | M16 | 150 | - | - | 3 | 15 | 5 | - | 10 | 12 | 20 | 340 |

GN 41-V/VK STAINLESS STEEL

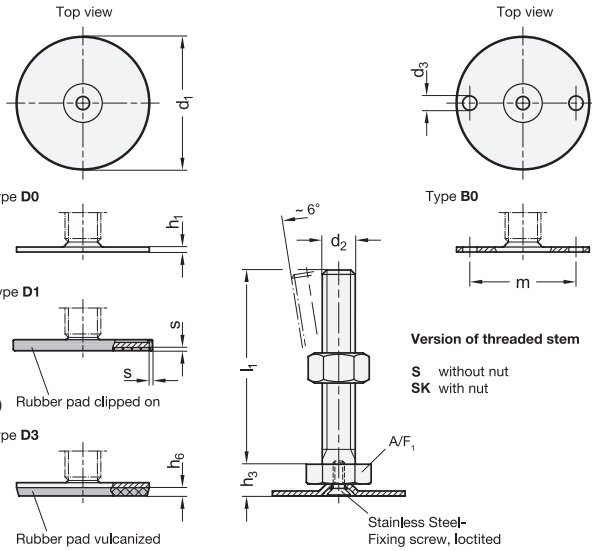
| Description | d1 | d2 | l1 | d3 | m | h1 | h3 | h6 | A/FA/F | | Static load in kN | ⚖️ | |
|-----------------------|----|-----|-----|-----|----|----|----|----|--------|----|-------------------|----|-----|
| | | | | | | | | | 4 | 5 | | | |
| GN 41-80-M20-100-B0-* | 80 | M20 | 100 | 8.5 | 64 | 3 | 15 | - | - | 13 | 16 | 20 | 331 |
| GN 41-80-M20-100-D0-* | 80 | M20 | 100 | - | - | 3 | 15 | - | - | 13 | 16 | 20 | 331 |
| GN 41-80-M20-100-D1-* | 80 | M20 | 100 | - | - | 3 | 15 | - | 2 | 13 | 16 | 20 | 345 |
| GN 41-80-M20-100-D3-* | 80 | M20 | 100 | - | - | 3 | 15 | 5 | - | 13 | 16 | 20 | 355 |
| GN 41-80-M20-125-B0-* | 80 | M20 | 125 | 8.5 | 64 | 3 | 15 | - | - | 13 | 16 | 20 | 382 |
| GN 41-80-M20-125-D0-* | 80 | M20 | 125 | - | - | 3 | 15 | - | - | 13 | 16 | 20 | 382 |
| GN 41-80-M20-125-D1-* | 80 | M20 | 125 | - | - | 3 | 15 | - | 2 | 13 | 16 | 20 | 396 |
| GN 41-80-M20-125-D3-* | 80 | M20 | 125 | - | - | 3 | 15 | 5 | - | 13 | 16 | 20 | 406 |
| GN 41-80-M20-150-B0-* | 80 | M20 | 150 | 8.5 | 64 | 3 | 15 | - | - | 13 | 16 | 20 | 434 |
| GN 41-80-M20-150-D0-* | 80 | M20 | 150 | - | - | 3 | 15 | - | - | 13 | 16 | 20 | 434 |
| GN 41-80-M20-150-D1-* | 80 | M20 | 150 | - | - | 3 | 15 | - | 2 | 13 | 16 | 20 | 448 |
| GN 41-80-M20-150-D3-* | 80 | M20 | 150 | - | - | 3 | 15 | 5 | - | 13 | 16 | 20 | 458 |
| GN 41-80-M20-200-B0-* | 80 | M20 | 200 | 8.5 | 64 | 3 | 15 | - | - | 13 | 16 | 20 | 539 |
| GN 41-80-M20-200-D0-* | 80 | M20 | 200 | - | - | 3 | 15 | - | - | 13 | 16 | 20 | 539 |
| GN 41-80-M20-200-D1-* | 80 | M20 | 200 | - | - | 3 | 15 | - | 2 | 13 | 16 | 20 | 553 |
| GN 41-80-M20-200-D3-* | 80 | M20 | 200 | - | - | 3 | 15 | 5 | - | 13 | 16 | 20 | 563 |
| GN 41-80-M24-100-B0-* | 80 | M24 | 100 | 8.5 | 64 | 3 | 18 | - | - | 17 | 20 | 22 | 434 |
| GN 41-80-M24-100-D0-* | 80 | M24 | 100 | - | - | 3 | 18 | - | - | 17 | 20 | 22 | 436 |
| GN 41-80-M24-100-D1-* | 80 | M24 | 100 | - | - | 3 | 18 | - | 2 | 17 | 20 | 22 | 447 |
| GN 41-80-M24-100-D3-* | 80 | M24 | 100 | - | - | 3 | 18 | 5 | - | 17 | 20 | 22 | 460 |
| GN 41-80-M24-150-B0-* | 80 | M24 | 150 | 8.5 | 64 | 3 | 18 | - | - | 17 | 20 | 22 | 582 |
| GN 41-80-M24-150-D0-* | 80 | M24 | 150 | - | - | 3 | 18 | - | - | 17 | 20 | 22 | 583 |
| GN 41-80-M24-150-D1-* | 80 | M24 | 150 | - | - | 3 | 18 | - | 2 | 17 | 20 | 22 | 595 |
| GN 41-80-M24-150-D3-* | 80 | M24 | 150 | - | - | 3 | 18 | 5 | - | 17 | 20 | 22 | 608 |
| GN 41-80-M24-200-B0-* | 80 | M24 | 200 | 8.5 | 64 | 3 | 18 | - | - | 17 | 20 | 22 | 728 |
| GN 41-80-M24-200-D0-* | 80 | M24 | 200 | - | - | 3 | 18 | - | - | 17 | 20 | 22 | 729 |
| GN 41-80-M24-200-D1-* | 80 | M24 | 200 | - | - | 3 | 18 | - | 2 | 17 | 20 | 22 | 741 |
| GN 41-80-M24-200-D3-* | 80 | M24 | 200 | - | - | 3 | 18 | 5 | - | 17 | 20 | 22 | 754 |

Weight Version V





Levelling elements 11



* Complete with version of the Levelling feet (External hexagon at the bottom)

S without nut
SK with nut

GN 41-S/SK STAINLESS STEEL

| Description | d1 | d2 | l1 | d3 | m | h1 | h3 | h6 | s | A/F ₁ | Static load in kN | ⚖️ |
|-----------------------|----|------|-----|-----|----|----|----|-----|-----|------------------|-------------------|-----|
| GN 41-40-M8-40-B0-* | 40 | M 8 | 40 | 5.4 | 30 | 2 | 11 | - | - | 17 | 8 | 38 |
| GN 41-40-M8-40-D0-* | 40 | M 8 | 40 | - | - | 2 | 11 | - | - | 17 | 8 | 48 |
| GN 41-40-M8-40-D1-* | 40 | M 8 | 40 | - | - | 2 | 11 | - | 1.5 | 17 | 8 | 50 |
| GN 41-40-M8-40-D3-* | 40 | M 8 | 40 | - | - | 2 | 11 | 3.5 | - | 17 | 8 | 50 |
| GN 41-40-M8-50-B0-* | 40 | M 8 | 50 | 5.4 | 30 | 2 | 11 | - | - | 17 | 8 | 50 |
| GN 41-40-M8-50-D0-* | 40 | M 8 | 50 | - | - | 2 | 11 | - | - | 17 | 8 | 50 |
| GN 41-40-M8-50-D1-* | 40 | M 8 | 50 | - | - | 2 | 11 | - | 1.5 | 17 | 8 | 55 |
| GN 41-40-M8-50-D3-* | 40 | M 8 | 50 | - | - | 2 | 11 | 3.5 | - | 17 | 8 | 53 |
| GN 41-40-M8-63-B0-* | 40 | M 8 | 63 | 5.4 | 30 | 2 | 11 | - | - | 17 | 8 | 55 |
| GN 41-40-M8-63-D0-* | 40 | M 8 | 63 | - | - | 2 | 11 | - | - | 17 | 8 | 55 |
| GN 41-40-M8-63-D1-* | 40 | M 8 | 63 | - | - | 2 | 11 | - | 1.5 | 17 | 8 | 60 |
| GN 41-40-M8-63-D3-* | 40 | M 8 | 63 | - | - | 2 | 11 | 3.5 | - | 17 | 8 | 60 |
| GN 41-40-M10-50-B0-* | 40 | M 10 | 50 | 5.4 | 30 | 2 | 11 | - | - | 17 | 12 | 64 |
| GN 41-40-M10-50-D0-* | 40 | M 10 | 50 | - | - | 2 | 11 | - | - | 17 | 12 | 65 |
| GN 41-40-M10-50-D1-* | 40 | M 10 | 50 | - | - | 2 | 11 | - | 1.5 | 17 | 12 | 60 |
| GN 41-40-M10-50-D3-* | 40 | M 10 | 50 | - | - | 2 | 11 | 3.5 | - | 17 | 12 | 60 |
| GN 41-40-M10-60-B0-* | 40 | M 10 | 60 | 5.4 | 30 | 2 | 11 | - | - | 17 | 12 | 68 |
| GN 41-40-M10-60-D0-* | 40 | M 10 | 60 | - | - | 2 | 11 | - | - | 17 | 12 | 68 |
| GN 41-40-M10-60-D1-* | 40 | M 10 | 60 | - | - | 2 | 11 | - | 1.5 | 17 | 12 | 75 |
| GN 41-40-M10-60-D3-* | 40 | M 10 | 60 | - | - | 2 | 11 | 3.5 | - | 17 | 12 | 80 |
| GN 41-40-M10-80-B0-* | 40 | M 10 | 80 | 5.4 | 30 | 2 | 11 | - | - | 17 | 12 | 80 |
| GN 41-40-M10-80-D0-* | 40 | M 10 | 80 | - | - | 2 | 11 | - | - | 17 | 12 | 81 |
| GN 41-40-M10-80-D1-* | 40 | M 10 | 80 | - | - | 2 | 11 | - | 1.5 | 17 | 12 | 82 |
| GN 41-40-M10-80-D3-* | 40 | M 10 | 80 | - | - | 2 | 11 | 3.5 | - | 17 | 12 | 84 |
| GN 41-40-M10-100-B0-* | 40 | M 10 | 100 | 5.4 | 30 | 2 | 11 | - | - | 17 | 12 | 90 |
| GN 41-40-M10-100-D0-* | 40 | M 10 | 100 | - | - | 2 | 11 | - | - | 17 | 12 | 91 |
| GN 41-40-M10-100-D1-* | 40 | M 10 | 100 | - | - | 2 | 11 | - | 1.5 | 17 | 12 | 92 |
| GN 41-40-M10-100-D3-* | 40 | M 10 | 100 | - | - | 2 | 11 | 3.5 | - | 17 | 12 | 94 |
| GN 41-40-M12-60-B0-* | 40 | M 12 | 60 | 5.4 | 30 | 2 | 11 | - | - | 17 | 12 | 90 |
| GN 41-40-M12-60-D0-* | 40 | M 12 | 60 | - | - | 2 | 11 | - | - | 17 | 12 | 96 |
| GN 41-40-M12-60-D1-* | 40 | M 12 | 60 | - | - | 2 | 11 | - | 1.5 | 17 | 12 | 100 |
| GN 41-40-M12-60-D3-* | 40 | M 12 | 60 | - | - | 2 | 11 | 3.5 | - | 17 | 12 | 102 |
| GN 41-40-M12-80-B0-* | 40 | M 12 | 80 | 5.4 | 30 | 2 | 11 | - | - | 17 | 12 | 102 |
| GN 41-40-M12-80-D0-* | 40 | M 12 | 80 | - | - | 2 | 11 | - | - | 17 | 12 | 102 |
| GN 41-40-M12-80-D1-* | 40 | M 12 | 80 | - | - | 2 | 11 | - | 1.5 | 17 | 12 | 103 |
| GN 41-40-M12-80-D3-* | 40 | M 12 | 80 | - | - | 2 | 11 | 3.5 | - | 17 | 12 | 104 |
| GN 41-40-M12-100-B0-* | 40 | M 12 | 100 | 5.4 | 30 | 2 | 11 | - | - | 17 | 12 | 118 |
| GN 41-40-M12-100-D0-* | 40 | M 12 | 100 | - | - | 2 | 11 | - | - | 17 | 12 | 126 |
| GN 41-40-M12-100-D1-* | 40 | M 12 | 100 | - | - | 2 | 11 | - | 1.5 | 17 | 12 | 120 |
| GN 41-40-M12-100-D3-* | 40 | M 12 | 100 | - | - | 2 | 11 | 3.5 | - | 17 | 12 | 122 |
| GN 41-40-M12-125-B0-* | 40 | M 12 | 125 | 5.4 | 30 | 2 | 11 | - | - | 17 | 12 | 135 |

GN 41-S/SK STAINLESS STEEL

| Description | d1 | d2 | l1 | d3 | m | h1 | h3 | h6 | s | A/F ₁ | Static load in kN | ⚖️ |
|-----------------------|----|------|-----|-----|----|-----|----|-----|-----|------------------|-------------------|-----|
| GN 41-40-M12-125-D0-* | 40 | M 12 | 125 | - | - | 2 | 11 | - | - | 17 | 12 | 136 |
| GN 41-40-M12-125-D1-* | 40 | M 12 | 125 | - | - | 2 | 11 | - | 1.5 | 17 | 12 | 139 |
| GN 41-40-M12-125-D3-* | 40 | M 12 | 125 | - | - | 2 | 11 | 3.5 | - | 17 | 12 | 140 |
| GN 41-50-M8-40-B0-* | 50 | M 8 | 40 | 6.6 | 38 | 2.5 | 11 | - | - | 17 | 8 | 60 |
| GN 41-50-M8-40-D0-* | 50 | M 8 | 40 | - | - | 2.5 | 11 | - | - | 17 | 8 | 60 |
| GN 41-50-M8-40-D1-* | 50 | M 8 | 40 | - | - | 2.5 | 11 | - | 2 | 17 | 8 | 74 |
| GN 41-50-M8-40-D3-* | 50 | M 8 | 40 | - | - | 2.5 | 11 | 4 | - | 17 | 8 | 80 |
| GN 41-50-M8-50-B0-* | 50 | M 8 | 50 | 6.6 | 38 | 2.5 | 11 | - | - | 17 | 8 | 60 |
| GN 41-50-M8-50-D0-* | 50 | M 8 | 50 | - | - | 2.5 | 11 | - | - | 17 | 8 | 60 |
| GN 41-50-M8-50-D1-* | 50 | M 8 | 50 | - | - | 2.5 | 11 | - | 2 | 17 | 8 | 80 |
| GN 41-50-M8-50-D3-* | 50 | M 8 | 50 | - | - | 2.5 | 11 | 4 | - | 17 | 8 | 80 |
| GN 41-50-M8-63-B0-* | 50 | M 8 | 63 | 6.6 | 38 | 2.5 | 11 | - | - | 17 | 8 | 65 |
| GN 41-50-M8-63-D0-* | 50 | M 8 | 63 | - | - | 2.5 | 11 | - | - | 17 | 8 | 73 |
| GN 41-50-M8-63-D1-* | 50 | M 8 | 63 | - | - | 2.5 | 11 | - | 2 | 17 | 8 | 79 |
| GN 41-50-M8-63-D3-* | 50 | M 8 | 63 | - | - | 2.5 | 11 | 4 | - | 17 | 8 | 82 |
| GN 41-50-M10-50-B0-* | 50 | M 10 | 50 | 6.6 | 38 | 2.5 | 11 | - | - | 17 | 14 | 80 |
| GN 41-50-M10-50-D0-* | 50 | M 10 | 50 | - | - | 2.5 | 11 | - | - | 17 | 14 | 82 |
| GN 41-50-M10-50-D1-* | 50 | M 10 | 50 | - | - | 2.5 | 11 | - | 2 | 17 | 14 | 90 |
| GN 41-50-M10-50-D3-* | 50 | M 10 | 50 | - | - | 2.5 | 11 | 4 | - | 17 | 14 | 90 |
| GN 41-50-M10-60-B0-* | 50 | M 10 | 60 | 6.6 | 38 | 2.5 | 11 | - | - | 17 | 14 | 90 |
| GN 41-50-M10-60-D0-* | 50 | M 10 | 60 | - | - | 2.5 | 11 | - | - | 17 | 14 | 94 |
| GN 41-50-M10-60-D1-* | 50 | M 10 | 60 | - | - | 2.5 | 11 | - | 2 | 17 | 14 | 98 |
| GN 41-50-M10-60-D3-* | 50 | M 10 | 60 | - | - | 2.5 | 11 | 4 | - | 17 | 14 | 100 |
| GN 41-50-M10-80-B0-* | 50 | M 10 | 80 | 6.6 | 38 | 2.5 | 11 | - | - | 17 | 14 | 100 |
| GN 41-50-M10-80-D0-* | 50 | M 10 | 80 | - | - | 2.5 | 11 | - | - | 17 | 14 | 100 |
| GN 41-50-M10-80-D1-* | 50 | M 10 | 80 | - | - | 2.5 | 11 | - | 2 | 17 | 14 | 104 |
| GN 41-50-M10-80-D3-* | 50 | M 10 | 80 | - | - | 2.5 | 11 | 4 | - | 17 | 14 | 109 |
| GN 41-50-M10-100-B0-* | 50 | M 10 | 100 | 6.6 | 38 | 2.5 | 11 | - | - | 17 | 14 | 110 |
| GN 41-50-M10-100-D0-* | 50 | M 10 | 100 | - | - | 2.5 | 11 | - | - | 17 | 14 | 110 |
| GN 41-50-M10-100-D1-* | 50 | M 10 | 100 | - | - | 2.5 | 11 | - | 2 | 17 | 14 | 120 |
| GN 41-50-M10-100-D3-* | 50 | M 10 | 100 | - | - | 2.5 | 11 | 4 | - | 17 | 14 | 120 |
| GN 41-50-M12-60-B0-* | 50 | M 12 | 60 | 6.6 | 38 | 2.5 | 11 | - | - | 17 | 14 | 108 |
| GN 41-50-M12-60-D0-* | 50 | M 12 | 60 | - | - | 2.5 | 11 | - | - | 17 | 14 | 109 |
| GN 41-50-M12-60-D1-* | 50 | M 12 | 60 | - | - | 2.5 | 11 | - | 2 | 17 | 14 | 110 |
| GN 41-50-M12-60-D3-* | 50 | M 12 | 60 | - | - | 2.5 | 11 | 4 | - | 17 | 14 | 117 |

Weight Version S

* Complete with version of the Levelling feet (External hexagon at the bottom)

S without nut SK with nut

GN 41-S/SK

STAINLESS STEEL

| Description | d1 | d2 | l1 | d3 | m | h1 | h3 | h6 | s | A/F ₁ | Static load in kN | |
|-----------------------|----|-----|-----|-----|----|-----|----|-----|---|------------------|-------------------|-----|
| GN 41-50-M12-80-B0-* | 50 | M12 | 80 | 6.6 | 38 | 2.5 | 11 | - | - | 17 | 14 | 120 |
| GN 41-50-M12-80-D0-* | 50 | M12 | 80 | - | - | 2.5 | 11 | - | - | 17 | 14 | 120 |
| GN 41-50-M12-80-D1-* | 50 | M12 | 80 | - | - | 2.5 | 11 | - | 2 | 17 | 14 | 129 |
| GN 41-50-M12-80-D3-* | 50 | M12 | 80 | - | - | 2.5 | 11 | 4 | - | 17 | 14 | 120 |
| GN 41-50-M12-100-B0-* | 50 | M12 | 100 | 6.6 | 38 | 2.5 | 11 | - | - | 17 | 14 | 137 |
| GN 41-50-M12-100-D0-* | 50 | M12 | 100 | - | - | 2.5 | 11 | - | - | 17 | 14 | 137 |
| GN 41-50-M12-100-D1-* | 50 | M12 | 100 | - | - | 2.5 | 11 | - | 2 | 17 | 14 | 145 |
| GN 41-50-M12-100-D3-* | 50 | M12 | 100 | - | - | 2.5 | 11 | 4 | - | 17 | 14 | 145 |
| GN 41-50-M12-125-B0-* | 50 | M12 | 125 | 6.6 | 38 | 2.5 | 11 | - | - | 17 | 14 | 154 |
| GN 41-50-M12-125-D0-* | 50 | M12 | 125 | - | - | 2.5 | 11 | - | - | 17 | 14 | 155 |
| GN 41-50-M12-125-D1-* | 50 | M12 | 125 | - | - | 2.5 | 11 | - | 2 | 17 | 14 | 160 |
| GN 41-50-M12-125-D3-* | 50 | M12 | 125 | - | - | 2.5 | 11 | 4 | - | 17 | 14 | 165 |
| GN 41-60-M8-40-B0-* | 60 | M8 | 40 | 6.6 | 48 | 2.5 | 11 | - | - | 17 | 8 | 74 |
| GN 41-60-M8-40-D0-* | 60 | M8 | 40 | - | - | 2.5 | 11 | - | - | 17 | 8 | 80 |
| GN 41-60-M8-40-D1-* | 60 | M8 | 40 | - | - | 2.5 | 11 | - | 2 | 17 | 8 | 88 |
| GN 41-60-M8-40-D3-* | 60 | M8 | 40 | - | - | 2.5 | 11 | 4.5 | - | 17 | 8 | 100 |
| GN 41-60-M8-50-B0-* | 60 | M8 | 50 | 6.6 | 48 | 2.5 | 11 | - | - | 17 | 8 | 78 |
| GN 41-60-M8-50-D0-* | 60 | M8 | 50 | - | - | 2.5 | 11 | - | - | 17 | 8 | 80 |
| GN 41-60-M8-50-D1-* | 60 | M8 | 50 | - | - | 2.5 | 11 | - | 2 | 17 | 8 | 90 |
| GN 41-60-M8-50-D3-* | 60 | M8 | 50 | - | - | 2.5 | 11 | 4.5 | - | 17 | 8 | 100 |
| GN 41-60-M8-63-B0-* | 60 | M8 | 63 | 6.6 | 48 | 2.5 | 11 | - | - | 17 | 8 | 82 |
| GN 41-60-M8-63-D0-* | 60 | M8 | 63 | - | - | 2.5 | 11 | - | - | 17 | 8 | 100 |
| GN 41-60-M8-63-D1-* | 60 | M8 | 63 | - | - | 2.5 | 11 | - | 2 | 17 | 8 | 100 |
| GN 41-60-M8-63-D3-* | 60 | M8 | 63 | - | - | 2.5 | 11 | 4.5 | - | 17 | 8 | 100 |
| GN 41-60-M10-50-B0-* | 60 | M10 | 50 | 6.6 | 48 | 2.5 | 11 | - | - | 17 | 14 | 107 |
| GN 41-60-M10-50-D0-* | 60 | M10 | 50 | - | - | 2.5 | 11 | - | - | 17 | 14 | 110 |
| GN 41-60-M10-50-D1-* | 60 | M10 | 50 | - | - | 2.5 | 11 | - | 2 | 17 | 14 | 110 |
| GN 41-60-M10-50-D3-* | 60 | M10 | 50 | - | - | 2.5 | 11 | 4.5 | - | 17 | 14 | 114 |
| GN 41-60-M10-60-B0-* | 60 | M10 | 60 | 6.6 | 48 | 2.5 | 11 | - | - | 17 | 14 | 111 |
| GN 41-60-M10-60-D0-* | 60 | M10 | 60 | - | - | 2.5 | 11 | - | - | 17 | 14 | 107 |
| GN 41-60-M10-60-D1-* | 60 | M10 | 60 | - | - | 2.5 | 11 | - | 2 | 17 | 14 | 120 |
| GN 41-60-M10-60-D3-* | 60 | M10 | 60 | - | - | 2.5 | 11 | 4.5 | - | 17 | 14 | 119 |
| GN 41-60-M10-80-B0-* | 60 | M10 | 80 | 6.6 | 48 | 2.5 | 11 | - | - | 17 | 14 | 121 |
| GN 41-60-M10-80-D0-* | 60 | M10 | 80 | - | - | 2.5 | 11 | - | - | 17 | 14 | 118 |
| GN 41-60-M10-80-D1-* | 60 | M10 | 80 | - | - | 2.5 | 11 | - | 2 | 17 | 14 | 120 |
| GN 41-60-M10-80-D3-* | 60 | M10 | 80 | - | - | 2.5 | 11 | 4.5 | - | 17 | 14 | 140 |
| GN 41-60-M10-100-B0-* | 60 | M10 | 100 | 6.6 | 48 | 2.5 | 11 | - | - | 17 | 14 | 120 |
| GN 41-60-M10-100-D0-* | 60 | M10 | 100 | - | - | 2.5 | 11 | - | - | 17 | 14 | 128 |
| GN 41-60-M10-100-D1-* | 60 | M10 | 100 | - | - | 2.5 | 11 | - | 2 | 17 | 14 | 138 |
| GN 41-60-M10-100-D3-* | 60 | M10 | 100 | - | - | 2.5 | 11 | 4.5 | - | 17 | 14 | 140 |
| GN 41-60-M12-60-B0-* | 60 | M12 | 60 | 6.6 | 48 | 2.5 | 11 | - | - | 17 | 16 | 125 |
| GN 41-60-M12-60-D0-* | 60 | M12 | 60 | - | - | 2.5 | 11 | - | - | 17 | 16 | 126 |
| GN 41-60-M12-60-D1-* | 60 | M12 | 60 | - | - | 2.5 | 11 | - | 2 | 17 | 16 | 133 |
| GN 41-60-M12-60-D3-* | 60 | M12 | 60 | - | - | 2.5 | 11 | 4.5 | - | 17 | 16 | 139 |
| GN 41-60-M12-80-B0-* | 60 | M12 | 80 | 6.6 | 48 | 2.5 | 11 | - | - | 17 | 16 | 139 |
| GN 41-60-M12-80-D0-* | 60 | M12 | 80 | - | - | 2.5 | 11 | - | - | 17 | 16 | 140 |
| GN 41-60-M12-80-D1-* | 60 | M12 | 80 | - | - | 2.5 | 11 | - | 2 | 17 | 16 | 148 |
| GN 41-60-M12-80-D3-* | 60 | M12 | 80 | - | - | 2.5 | 11 | 4.5 | - | 17 | 16 | 131 |
| GN 41-60-M12-100-B0-* | 60 | M12 | 100 | 6.6 | 48 | 2.5 | 11 | - | - | 17 | 16 | 150 |
| GN 41-60-M12-100-D0-* | 60 | M12 | 100 | - | - | 2.5 | 11 | - | - | 17 | 16 | 153 |
| GN 41-60-M12-100-D1-* | 60 | M12 | 100 | - | - | 2.5 | 11 | - | 2 | 17 | 16 | 155 |
| GN 41-60-M12-100-D3-* | 60 | M12 | 100 | - | - | 2.5 | 11 | 4.5 | - | 17 | 16 | 160 |
| GN 41-60-M12-125-B0-* | 60 | M12 | 125 | 6.6 | 48 | 2.5 | 11 | - | - | 17 | 16 | 171 |
| GN 41-60-M12-125-D0-* | 60 | M12 | 125 | - | - | 2.5 | 11 | - | - | 17 | 16 | 172 |
| GN 41-60-M12-125-D1-* | 60 | M12 | 125 | - | - | 2.5 | 11 | - | 2 | 17 | 16 | 180 |
| GN 41-60-M12-125-D3-* | 60 | M12 | 125 | - | - | 2.5 | 11 | 4.5 | - | 17 | 16 | 186 |

GN 41-S/SK

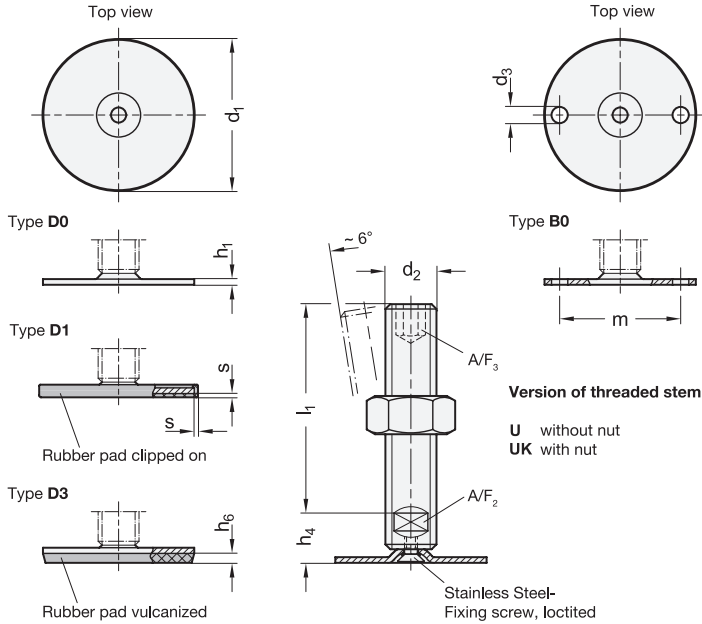
STAINLESS STEEL

| Description | d1 | d2 | l1 | d3 | m | h1 | h3 | h6 | s | A/F ₁ | Static load in kN | |
|-----------------------|----|-----|-----|-----|----|----|----|----|---|------------------|-------------------|-----|
| GN 41-80-M8-40-B0-* | 80 | M8 | 40 | 8.5 | 64 | 3 | 12 | - | - | 17 | 8 | 138 |
| GN 41-80-M8-40-D0-* | 80 | M8 | 40 | - | - | 3 | 12 | - | - | 17 | 8 | 142 |
| GN 41-80-M8-40-D1-* | 80 | M8 | 40 | - | - | 3 | 12 | - | 2 | 17 | 8 | 160 |
| GN 41-80-M8-40-D3-* | 80 | M8 | 40 | - | - | 3 | 12 | 5 | - | 17 | 8 | 180 |
| GN 41-80-M8-50-B0-* | 80 | M8 | 50 | 8.5 | 64 | 3 | 12 | - | - | 17 | 8 | 150 |
| GN 41-80-M8-50-D0-* | 80 | M8 | 50 | - | - | 3 | 12 | - | - | 17 | 8 | 160 |
| GN 41-80-M8-50-D1-* | 80 | M8 | 50 | - | - | 3 | 12 | - | 2 | 17 | 8 | 160 |
| GN 41-80-M8-50-D3-* | 80 | M8 | 50 | - | - | 3 | 12 | 5 | - | 17 | 8 | 150 |
| GN 41-80-M8-63-B0-* | 80 | M8 | 63 | 8.5 | 64 | 3 | 12 | - | - | 17 | 8 | 146 |
| GN 41-80-M8-63-D0-* | 80 | M8 | 63 | - | - | 3 | 12 | - | - | 17 | 8 | 149 |
| GN 41-80-M8-63-D1-* | 80 | M8 | 63 | - | - | 3 | 12 | - | 2 | 17 | 8 | 159 |
| GN 41-80-M8-63-D3-* | 80 | M8 | 63 | - | - | 3 | 12 | 5 | - | 17 | 8 | 180 |
| GN 41-80-M10-50-B0-* | 80 | M10 | 50 | 8.5 | 64 | 3 | 12 | - | - | 17 | 14 | 151 |
| GN 41-80-M10-50-D0-* | 80 | M10 | 50 | - | - | 3 | 12 | - | - | 17 | 14 | 157 |
| GN 41-80-M10-50-D1-* | 80 | M10 | 50 | - | - | 3 | 12 | - | 2 | 17 | 14 | 180 |
| GN 41-80-M10-50-D3-* | 80 | M10 | 50 | - | - | 3 | 12 | 5 | - | 17 | 14 | 180 |
| GN 41-80-M10-60-B0-* | 80 | M10 | 60 | 8.5 | 64 | 3 | 12 | - | - | 17 | 14 | 175 |
| GN 41-80-M10-60-D0-* | 80 | M10 | 60 | - | - | 3 | 12 | - | - | 17 | 14 | 175 |
| GN 41-80-M10-60-D1-* | 80 | M10 | 60 | - | - | 3 | 12 | - | 2 | 17 | 14 | 174 |
| GN 41-80-M10-60-D3-* | 80 | M10 | 60 | - | - | 3 | 12 | 5 | - | 17 | 14 | 196 |
| GN 41-80-M10-80-B0-* | 80 | M10 | 80 | 8.5 | 64 | 3 | 12 | - | - | 17 | 14 | 185 |
| GN 41-80-M10-80-D0-* | 80 | M10 | 80 | - | - | 3 | 12 | - | - | 17 | 14 | 185 |
| GN 41-80-M10-80-D1-* | 80 | M10 | 80 | - | - | 3 | 12 | - | 2 | 17 | 14 | 198 |
| GN 41-80-M10-80-D3-* | 80 | M10 | 80 | - | - | 3 | 12 | 5 | - | 17 | 14 | 211 |
| GN 41-80-M10-100-B0-* | 80 | M10 | 100 | 8.5 | 64 | 3 | 12 | - | - | 17 | 14 | 196 |
| GN 41-80-M10-100-D0-* | 80 | M10 | 100 | - | - | 3 | 12 | - | - | 17 | 14 | 186 |
| GN 41-80-M10-100-D1-* | 80 | M10 | 100 | - | - | 3 | 12 | - | 2 | 17 | 14 | 210 |
| GN 41-80-M10-100-D3-* | 80 | M10 | 100 | - | - | 3 | 12 | 5 | - | 17 | 14 | 216 |
| GN 41-80-M12-60-B0-* | 80 | M12 | 60 | 8.5 | 64 | 3 | 12 | - | - | 17 | 20 | 150 |
| GN 41-80-M12-60-D0-* | 80 | M12 | 60 | - | - | 3 | 12 | - | - | 17 | 20 | 196 |
| GN 41-80-M12-60-D1-* | 80 | M12 | 60 | - | - | 3 | 12 | - | 2 | 17 | 20 | 200 |
| GN 41-80-M12-60-D3-* | 80 | M12 | 60 | - | - | 3 | 12 | 5 | - | 17 | 20 | 214 |
| GN 41-80-M12-80-B0-* | 80 | M12 | 80 | 8.5 | 64 | 3 | 12 | - | - | 17 | 20 | 203 |
| GN 41-80-M12-80-D0-* | 80 | M12 | 80 | - | - | 3 | 12 | - | - | 17 | 20 | 204 |
| GN 41-80-M12-80-D1-* | 80 | M12 | 80 | - | - | 3 | 12 | - | 2 | 17 | 20 | 218 |
| GN 41-80-M12-80-D3-* | 80 | M12 | 80 | - | - | 3 | 12 | 5 | - | 17 | 20 | 220 |
| GN 41-80-M12-100-B0-* | 80 | M12 | 100 | 8.5 | 64 | 3 | 12 | - | - | 17 | 20 | 218 |
| GN 41-80-M12-100-D0-* | 80 | M12 | 100 | - | - | 3 | 12 | - | - | 17 | 20 | 214 |
| GN 41-80-M12-100-D1-* | 80 | M12 | 100 | - | - | 3 | 12 | - | 2 | 17 | 20 | 228 |
| GN 41-80-M12-100-D3-* | 80 | M12 | 100 | - | - | 3 | 12 | 5 | - | 17 | 20 | 245 |
| GN 41-80-M12-125-B0-* | 80 | M12 | 125 | 8.5 | 64 | 3 | 12 | - | - | 17 | 20 | 235 |
| GN 41-80-M12-125-D0-* | 80 | M12 | 125 | - | - | 3 | 12 | - | - | 17 | 20 | 237 |
| GN 41-80-M12-125-D1-* | 80 | M12 | 125 | - | - | 3 | 12 | - | 2 | 17 | 20 | 240 |
| GN 41-80-M12-125-D3-* | 80 | M12 | 125 | - | - | 3 | 12 | 5 | - | 17 | 20 | 250 |

Weight Version S



Levelling elements 11



* Complete with version of the Levelling feet (Hexagon socket at the top / Wrench at the bottom)

U without nut
UK with nut

GN 41-U/UK **STAINLESS STEEL**

| Description | d1 | d2 | l1 | d3 | m | h1 | h4 | h6 | s | A/FA/F ₂ / F ₃ | | | Static load in kN |
|-----------------------|----|------|-----|-----|----|-----|----|-----|-----|--------------------------------------|---|----|-------------------|
| | | | | | | | | | | 2 | 3 | 3 | |
| GN 41-40-M16-75-D0-* | 40 | M 16 | 75 | - | - | 2 | 17 | - | - | 12 | 8 | 12 | 153 |
| GN 41-40-M16-75-D3-* | 40 | M 16 | 75 | - | - | 2 | 17 | - | 1.5 | 12 | 8 | 12 | 157 |
| GN 41-40-M16-100-D0-* | 40 | M 16 | 100 | - | - | 2 | 17 | - | - | 12 | 8 | 12 | 180 |
| GN 41-40-M16-100-D1-* | 40 | M 16 | 100 | - | - | 2 | 17 | - | 1.5 | 12 | 8 | 12 | 202 |
| GN 41-40-M16-100-D3-* | 40 | M 16 | 100 | - | - | 2 | 17 | 3.5 | - | 12 | 8 | 12 | 191 |
| GN 41-40-M16-125-D0-* | 40 | M 16 | 125 | - | - | 2 | 17 | - | - | 12 | 8 | 12 | 189 |
| GN 41-40-M16-125-D3-* | 40 | M 16 | 125 | - | - | 2 | 17 | - | 1.5 | 12 | 8 | 12 | 220 |
| GN 41-40-M16-150-D0-* | 40 | M 16 | 150 | - | - | 2 | 17 | - | - | 12 | 8 | 12 | 220 |
| GN 41-40-M16-150-D1-* | 40 | M 16 | 150 | - | - | 2 | 17 | - | 1.5 | 12 | 8 | 12 | 266 |
| GN 41-40-M16-150-D3-* | 40 | M 16 | 150 | - | - | 2 | 17 | 3.5 | - | 12 | 8 | 12 | 256 |
| GN 41-40-M16-200-D0-* | 40 | M 16 | 200 | - | - | 2 | 17 | - | - | 12 | 8 | 12 | 322 |
| GN 41-40-M16-200-D1-* | 40 | M 16 | 200 | - | - | 2 | 17 | - | 1.5 | 12 | 8 | 12 | 334 |
| GN 41-40-M16-200-D3-* | 40 | M 16 | 200 | - | - | 2 | 17 | 3.5 | - | 12 | 8 | 12 | 336 |
| GN 41-50-M16-75-B0-* | 50 | M 16 | 75 | 6.6 | 38 | 2.5 | 17 | - | - | 12 | 8 | 14 | 141 |
| GN 41-50-M16-75-D0-* | 50 | M 16 | 75 | - | - | 2.5 | 17 | - | - | 12 | 8 | 14 | 174 |
| GN 41-50-M16-75-D1-* | 50 | M 16 | 75 | - | - | 2.5 | 17 | - | 2 | 12 | 8 | 14 | 181 |
| GN 41-50-M16-75-D3-* | 50 | M 16 | 75 | - | - | 2.5 | 17 | 4 | - | 12 | 8 | 14 | 184 |
| GN 41-50-M16-100-B0-* | 50 | M 16 | 100 | 6.6 | 38 | 2.5 | 17 | - | - | 12 | 8 | 14 | 173 |
| GN 41-50-M16-100-D0-* | 50 | M 16 | 100 | - | - | 2.5 | 17 | - | - | 12 | 8 | 14 | 209 |
| GN 41-50-M16-100-D1-* | 50 | M 16 | 100 | - | - | 2.5 | 17 | - | 2 | 12 | 8 | 14 | 215 |
| GN 41-50-M16-100-D3-* | 50 | M 16 | 100 | - | - | 2.5 | 17 | 4 | - | 12 | 8 | 14 | 277 |

GN 41-U/UK **STAINLESS STEEL**

| Description | d1 | d2 | l1 | d3 | m | h1 | h4 | h6 | s | A/FA/F ₂ / F ₃ | | | Static load in kN |
|-----------------------|----|------|-----|-----|----|-----|----|-----|---|--------------------------------------|---|----|-------------------|
| | | | | | | | | | | 2 | 3 | 3 | |
| GN 41-50-M16-125-D0-* | 50 | M 16 | 125 | - | - | 2.5 | 17 | - | - | 12 | 8 | 14 | 240 |
| GN 41-50-M16-125-D1-* | 50 | M 16 | 125 | - | - | 2.5 | 17 | - | 2 | 12 | 8 | 14 | 248 |
| GN 41-50-M16-125-D3-* | 50 | M 16 | 125 | - | - | 2.5 | 17 | 4 | - | 12 | 8 | 14 | 250 |
| GN 41-50-M16-150-B0-* | 50 | M 16 | 150 | 6.6 | 38 | 2.5 | 17 | - | - | 12 | 8 | 14 | 238 |
| GN 41-50-M16-150-D0-* | 50 | M 16 | 150 | - | - | 2.5 | 17 | - | - | 12 | 8 | 14 | 276 |
| GN 41-50-M16-150-D1-* | 50 | M 16 | 150 | - | - | 2.5 | 17 | - | 2 | 12 | 8 | 14 | 280 |
| GN 41-50-M16-150-D3-* | 50 | M 16 | 150 | - | - | 2.5 | 17 | 4 | - | 12 | 8 | 14 | 282 |
| GN 41-50-M16-200-B0-* | 50 | M 16 | 200 | 6.6 | 38 | 2.5 | 17 | - | - | 12 | 8 | 14 | 304 |
| GN 41-50-M16-200-D0-* | 50 | M 16 | 200 | - | - | 2.5 | 17 | - | - | 12 | 8 | 14 | 350 |
| GN 41-50-M16-200-D1-* | 50 | M 16 | 200 | - | - | 2.5 | 17 | - | 2 | 12 | 8 | 14 | 345 |
| GN 41-50-M16-200-D3-* | 50 | M 16 | 200 | - | - | 2.5 | 17 | 4 | - | 12 | 8 | 14 | 347 |
| GN 41-60-M16-75-B0-* | 60 | M 16 | 75 | 6.6 | 48 | 2.5 | 17 | - | - | 12 | 8 | 16 | 150 |
| GN 41-60-M16-75-D0-* | 60 | M 16 | 75 | - | - | 2.5 | 17 | - | - | 12 | 8 | 16 | 192 |
| GN 41-60-M16-75-D1-* | 60 | M 16 | 75 | - | - | 2.5 | 17 | - | 2 | 12 | 8 | 16 | 200 |
| GN 41-60-M16-75-D3-* | 60 | M 16 | 75 | - | - | 2.5 | 17 | 4.5 | - | 12 | 8 | 16 | 202 |
| GN 41-60-M16-100-B0-* | 60 | M 16 | 100 | 6.6 | 48 | 2.5 | 17 | - | - | 12 | 8 | 16 | 189 |
| GN 41-60-M16-100-D0-* | 60 | M 16 | 100 | - | - | 2.5 | 17 | - | - | 12 | 8 | 16 | 222 |
| GN 41-60-M16-100-D1-* | 60 | M 16 | 100 | - | - | 2.5 | 17 | - | 2 | 12 | 8 | 16 | 232 |
| GN 41-60-M16-100-D3-* | 60 | M 16 | 100 | - | - | 2.5 | 17 | 4.5 | - | 12 | 8 | 16 | 238 |
| GN 41-60-M16-125-B0-* | 60 | M 16 | 125 | 6.6 | 48 | 2.5 | 17 | - | - | 12 | 8 | 16 | 222 |
| GN 41-60-M16-125-D0-* | 60 | M 16 | 125 | - | - | 2.5 | 17 | - | - | 12 | 8 | 16 | 259 |
| GN 41-60-M16-125-D1-* | 60 | M 16 | 125 | - | - | 2.5 | 17 | - | 2 | 12 | 8 | 16 | 260 |
| GN 41-60-M16-125-D3-* | 60 | M 16 | 125 | - | - | 2.5 | 17 | 4.5 | - | 12 | 8 | 16 | 272 |

Weight Version U



11
Levelling elements

* Complete with version of the Levelling feet (Hexagon socket at the top / Wrench at the bottom)

U UK
without nut with nut

GN 41-U/UK

STAINLESS STEEL

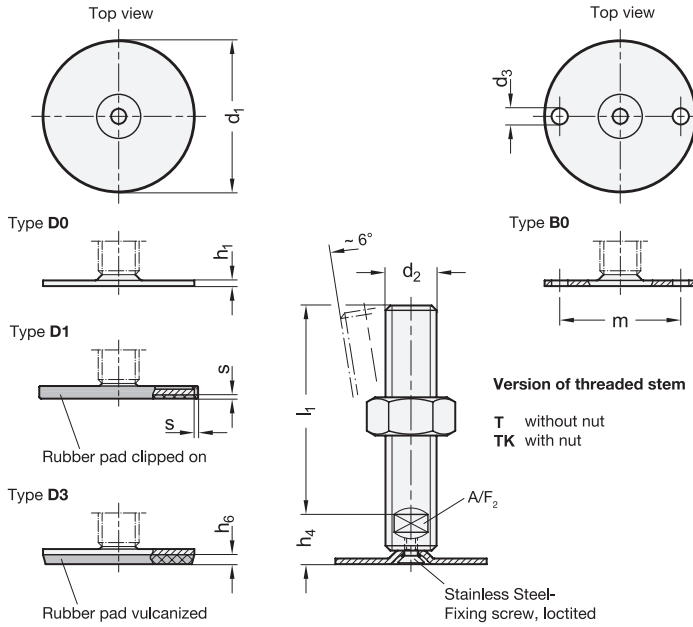
| Description | d1 | d2 | l1 | d3 | m | h1 | h4 | h6 | s | A/FA/F ₂ /F ₃ | Static load in kN | |
|-----------------------|----|------|-----|-----|----|-----|----|-----|---|-------------------------------------|-------------------|-----|
| GN 41-60-M16-150-D3-* | 60 | M 16 | 150 | - | - | 2.5 | 17 | 4.5 | - | 12 8 | 16 | 305 |
| GN 41-60-M16-200-B0-* | 60 | M 16 | 200 | 6.6 | 48 | 2.5 | 17 | - | - | 12 8 | 16 | 354 |
| GN 41-60-M16-200-D0-* | 60 | M 16 | 200 | - | - | 2.5 | 17 | - | - | 12 8 | 16 | 358 |
| GN 41-60-M16-200-D1-* | 60 | M 16 | 200 | - | - | 2.5 | 17 | - | 2 | 12 8 | 16 | 350 |
| GN 41-60-M16-200-D3-* | 60 | M 16 | 200 | - | - | 2.5 | 17 | 4.5 | - | 12 8 | 16 | 360 |
| GN 41-80-M16-75-B0-* | 80 | M 16 | 75 | 8.5 | 64 | 3 | 18 | - | - | 12 8 | 20 | 222 |
| GN 41-80-M16-75-D0-* | 80 | M 16 | 75 | - | - | 3 | 18 | - | - | 12 8 | 20 | 226 |
| GN 41-80-M16-75-D1-* | 80 | M 16 | 75 | - | - | 3 | 18 | - | 2 | 12 8 | 20 | 260 |
| GN 41-80-M16-75-D3-* | 80 | M 16 | 75 | - | - | 3 | 18 | 5 | - | 12 8 | 20 | 281 |
| GN 41-80-M16-100-B0-* | 80 | M 16 | 100 | 8.5 | 64 | 3 | 18 | - | - | 12 8 | 20 | 254 |
| GN 41-80-M16-100-D0-* | 80 | M 16 | 100 | - | - | 3 | 18 | - | - | 12 8 | 20 | 255 |
| GN 41-80-M16-100-D1-* | 80 | M 16 | 100 | - | - | 3 | 18 | - | 2 | 12 8 | 20 | 300 |
| GN 41-80-M16-100-D3-* | 80 | M 16 | 100 | - | - | 3 | 18 | 5 | - | 12 8 | 20 | 320 |
| GN 41-80-M16-125-B0-* | 80 | M 16 | 125 | 8.5 | 64 | 3 | 18 | - | - | 12 8 | 20 | 287 |
| GN 41-80-M16-125-D0-* | 80 | M 16 | 125 | - | - | 3 | 18 | - | - | 12 8 | 20 | 320 |
| GN 41-80-M16-125-D1-* | 80 | M 16 | 125 | - | - | 3 | 18 | - | 2 | 12 8 | 20 | 340 |
| GN 41-80-M16-125-D3-* | 80 | M 16 | 125 | - | - | 3 | 18 | 5 | - | 12 8 | 20 | 351 |
| GN 41-80-M16-150-B0-* | 80 | M 16 | 150 | 8.5 | 64 | 3 | 18 | - | - | 12 8 | 20 | 319 |
| GN 41-80-M16-150-D0-* | 80 | M 16 | 150 | - | - | 3 | 18 | - | - | 12 8 | 20 | 350 |
| GN 41-80-M16-150-D1-* | 80 | M 16 | 150 | - | - | 3 | 18 | - | 2 | 12 8 | 20 | 360 |
| GN 41-80-M16-150-D3-* | 80 | M 16 | 150 | - | - | 3 | 18 | 5 | - | 12 8 | 20 | 388 |
| GN 41-80-M16-200-B0-* | 80 | M 16 | 200 | 8.5 | 64 | 3 | 18 | - | - | 12 8 | 20 | 385 |
| GN 41-80-M16-200-D0-* | 80 | M 16 | 200 | - | - | 3 | 18 | - | - | 12 8 | 20 | 420 |
| GN 41-80-M16-200-D1-* | 80 | M 16 | 200 | - | - | 3 | 18 | - | 2 | 12 8 | 20 | 440 |
| GN 41-80-M16-200-D3-* | 80 | M 16 | 200 | - | - | 3 | 18 | 5 | - | 12 8 | 20 | 460 |
| GN 41-80-M20-75-B0-* | 80 | M 20 | 75 | 8.5 | 64 | 3 | 19 | - | - | 15 10 | 20 | 281 |
| GN 41-80-M20-75-D0-* | 80 | M 20 | 75 | - | - | 3 | 19 | - | - | 15 10 | 20 | 336 |
| GN 41-80-M20-75-D1-* | 80 | M 20 | 75 | - | - | 3 | 19 | - | 2 | 15 10 | 20 | 370 |
| GN 41-80-M20-75-D3-* | 80 | M 20 | 75 | - | - | 3 | 19 | 5 | - | 15 10 | 20 | 380 |
| GN 41-80-M20-100-B0-* | 80 | M 20 | 100 | 8.5 | 64 | 3 | 19 | - | - | 15 10 | 20 | 350 |
| GN 41-80-M20-100-D0-* | 80 | M 20 | 100 | - | - | 3 | 19 | - | - | 15 10 | 20 | 390 |
| GN 41-80-M20-100-D1-* | 80 | M 20 | 100 | - | - | 3 | 19 | - | 2 | 15 10 | 20 | 400 |
| GN 41-80-M20-100-D3-* | 80 | M 20 | 100 | - | - | 3 | 19 | 5 | - | 15 10 | 20 | 436 |
| GN 41-80-M20-125-B0-* | 80 | M 20 | 125 | 8.5 | 64 | 3 | 19 | - | - | 15 10 | 20 | 382 |

GN 41-U/UK

STAINLESS STEEL

| Description | d1 | d2 | l1 | d3 | m | h1 | h4 | h6 | s | A/FA/F ₂ /F ₃ | Static load in kN | |
|-----------------------|----|------|-----|-----|----|----|----|----|---|-------------------------------------|-------------------|-----|
| GN 41-80-M20-125-D1-* | 80 | M 20 | 125 | - | - | 3 | 19 | - | 2 | 15 10 | 20 | 460 |
| GN 41-80-M20-125-D3-* | 80 | M 20 | 125 | - | - | 3 | 19 | 5 | - | 15 10 | 20 | 466 |
| GN 41-80-M20-150-B0-* | 80 | M 20 | 150 | 8.5 | 64 | 3 | 19 | - | - | 15 10 | 20 | 202 |
| GN 41-80-M20-150-D0-* | 80 | M 20 | 150 | - | - | 3 | 19 | - | - | 15 10 | 20 | 487 |
| GN 41-80-M20-150-D1-* | 80 | M 20 | 150 | - | - | 3 | 19 | - | 2 | 15 10 | 20 | 500 |
| GN 41-80-M20-150-D3-* | 80 | M 20 | 150 | - | - | 3 | 19 | 5 | - | 15 10 | 20 | 527 |
| GN 41-80-M20-200-B0-* | 80 | M 20 | 200 | 8.5 | 64 | 3 | 19 | - | - | 15 10 | 20 | 500 |
| GN 41-80-M20-200-D0-* | 80 | M 20 | 200 | - | - | 3 | 19 | - | - | 15 10 | 20 | 535 |
| GN 41-80-M20-200-D1-* | 80 | M 20 | 200 | - | - | 3 | 19 | - | 2 | 15 10 | 20 | 586 |
| GN 41-80-M20-200-D3-* | 80 | M 20 | 200 | - | - | 3 | 19 | 5 | - | 15 10 | 20 | 586 |
| GN 41-80-M24-100-B0-* | 80 | M 24 | 100 | 8.5 | 64 | 3 | 22 | - | - | 19 12 | 22 | 511 |
| GN 41-80-M24-100-D0-* | 80 | M 24 | 100 | - | - | 3 | 22 | - | - | 19 12 | 22 | 529 |
| GN 41-80-M24-100-D1-* | 80 | M 24 | 100 | - | - | 3 | 22 | - | 2 | 19 12 | 22 | 540 |
| GN 41-80-M24-100-D3-* | 80 | M 24 | 100 | - | - | 3 | 22 | 5 | - | 19 12 | 22 | 560 |
| GN 41-80-M24-125-B0-* | 80 | M 24 | 125 | 8.5 | 64 | 3 | 22 | - | - | 19 12 | 22 | 503 |
| GN 41-80-M24-125-D0-* | 80 | M 24 | 125 | - | - | 3 | 22 | - | - | 19 12 | 22 | 606 |
| GN 41-80-M24-125-D1-* | 80 | M 24 | 125 | - | - | 3 | 22 | - | 2 | 19 12 | 22 | 610 |
| GN 41-80-M24-125-D3-* | 80 | M 24 | 125 | - | - | 3 | 22 | 5 | - | 19 12 | 22 | 638 |
| GN 41-80-M24-150-B0-* | 80 | M 24 | 150 | 8.5 | 64 | 3 | 22 | - | - | 19 12 | 22 | 584 |
| GN 41-80-M24-150-D0-* | 80 | M 24 | 150 | - | - | 3 | 22 | - | - | 19 12 | 22 | 685 |
| GN 41-80-M24-150-D1-* | 80 | M 24 | 150 | - | - | 3 | 22 | - | 2 | 19 12 | 22 | 700 |
| GN 41-80-M24-150-D3-* | 80 | M 24 | 150 | - | - | 3 | 22 | 5 | - | 19 12 | 22 | 710 |
| GN 41-80-M24-200-B0-* | 80 | M 24 | 200 | 8.5 | 64 | 3 | 22 | - | - | 19 12 | 22 | 720 |
| GN 41-80-M24-200-D0-* | 80 | M 24 | 200 | - | - | 3 | 22 | - | - | 19 12 | 22 | 820 |
| GN 41-80-M24-200-D1-* | 80 | M 24 | 200 | - | - | 3 | 22 | - | 2 | 19 12 | 22 | 840 |
| GN 41-80-M24-200-D3-* | 80 | M 24 | 200 | - | - | 3 | 22 | 5 | - | 19 12 | 22 | 860 |

Weight Version U



* Complete with version of the Levelling feet (Wrench flat at the bottom)

T without nut
TK with nut

GN 41-T/TK STAINLESS STEEL

| Description | d1 | d2 | l1 | d3 | m | h1 | h4 | h6 | s | A/F ₂ | Static load in kN | ⚖️ |
|-----------------------|----|------|-----|-----|----|-----|----|-----|-----|------------------|-------------------|-----|
| GN 41-40-M16-75-D0-* | 40 | M 16 | 75 | - | - | 2 | 17 | - | - | 12 | 12 | 129 |
| GN 41-40-M16-75-D1-* | 40 | M 16 | 75 | - | - | 2 | 17 | - | 1.5 | 12 | 12 | 132 |
| GN 41-40-M16-75-D3-* | 40 | M 16 | 75 | - | - | 2 | 17 | 3.5 | - | 12 | 12 | 150 |
| GN 41-40-M16-100-D0-* | 40 | M 16 | 100 | - | - | 2 | 17 | - | - | 12 | 12 | 171 |
| GN 41-40-M16-100-D1-* | 40 | M 16 | 100 | - | - | 2 | 17 | - | 1.5 | 12 | 12 | 200 |
| GN 41-40-M16-100-D3-* | 40 | M 16 | 100 | - | - | 2 | 17 | 3.5 | - | 12 | 12 | 174 |
| GN 41-40-M16-125-D0-* | 40 | M 16 | 125 | - | - | 2 | 17 | - | - | 12 | 12 | 194 |
| GN 41-40-M16-125-D1-* | 40 | M 16 | 125 | - | - | 2 | 17 | - | 1.5 | 12 | 12 | 197 |
| GN 41-40-M16-125-D3-* | 40 | M 16 | 125 | - | - | 2 | 17 | 3.5 | - | 12 | 12 | 220 |
| GN 41-40-M16-150-D0-* | 40 | M 16 | 150 | - | - | 2 | 17 | - | - | 12 | 12 | 226 |
| GN 41-40-M16-150-D1-* | 40 | M 16 | 150 | - | - | 2 | 17 | - | 1.5 | 12 | 12 | 229 |
| GN 41-40-M16-150-D3-* | 40 | M 16 | 150 | - | - | 2 | 17 | 3.5 | - | 12 | 12 | 238 |
| GN 41-40-M16-200-D0-* | 40 | M 16 | 200 | - | - | 2 | 17 | - | - | 12 | 12 | 569 |
| GN 41-40-M16-200-D1-* | 40 | M 16 | 200 | - | - | 2 | 17 | - | 1.5 | 12 | 12 | 572 |
| GN 41-40-M16-200-D3-* | 40 | M 16 | 200 | - | - | 2 | 17 | 3.5 | - | 12 | 12 | 581 |
| GN 41-50-M16-75-B0-* | 50 | M 16 | 75 | 6.6 | 38 | 2.5 | 17 | - | - | 12 | 14 | 146 |
| GN 41-50-M16-75-D0-* | 50 | M 16 | 75 | - | - | 2.5 | 17 | - | - | 12 | 14 | 149 |
| GN 41-50-M16-75-D1-* | 50 | M 16 | 75 | - | - | 2.5 | 17 | - | 2 | 12 | 14 | 155 |
| GN 41-50-M16-75-D3-* | 50 | M 16 | 75 | - | - | 2.5 | 17 | 4 | - | 12 | 14 | 150 |
| GN 41-50-M16-100-B0-* | 50 | M 16 | 100 | 6.6 | 38 | 2.5 | 17 | - | - | 12 | 14 | 179 |
| GN 41-50-M16-100-D0-* | 50 | M 16 | 100 | - | - | 2.5 | 17 | - | - | 12 | 14 | 182 |
| GN 41-50-M16-100-D1-* | 50 | M 16 | 100 | - | - | 2.5 | 17 | - | 2 | 12 | 14 | 188 |
| GN 41-50-M16-100-D3-* | 50 | M 16 | 100 | - | - | 2.5 | 17 | 4 | - | 12 | 14 | 192 |

GN 41-T/TK

STAINLESS STEEL

| Description | d1 | d2 | l1 | d3 | m | h1 | h4 | h6 | s | A/F ₂ | Static load in kN | ⚖️ |
|-----------------------|----|------|-----|-----|----|-----|----|-----|---|------------------|-------------------|-----|
| GN 41-50-M16-125-B0-* | 50 | M 16 | 125 | 6.6 | 38 | 2.5 | 17 | - | - | 12 | 14 | 211 |
| GN 41-50-M16-125-D0-* | 50 | M 16 | 125 | - | - | 2.5 | 17 | - | - | 12 | 14 | 214 |
| GN 41-50-M16-125-D1-* | 50 | M 16 | 125 | - | - | 2.5 | 17 | 4 | - | 12 | 14 | 220 |
| GN 41-50-M16-125-D3-* | 50 | M 16 | 125 | - | - | 2.5 | 17 | 4 | - | 12 | 14 | 225 |
| GN 41-50-M16-150-B0-* | 50 | M 16 | 150 | 6.6 | 38 | 2.5 | 17 | - | - | 12 | 14 | 243 |
| GN 41-50-M16-150-D0-* | 50 | M 16 | 150 | - | - | 2.5 | 17 | - | - | 12 | 14 | 246 |
| GN 41-50-M16-150-D1-* | 50 | M 16 | 150 | - | - | 2.5 | 17 | - | 2 | 12 | 14 | 256 |
| GN 41-50-M16-150-D3-* | 50 | M 16 | 150 | - | - | 2.5 | 17 | 4 | - | 12 | 14 | 260 |
| GN 41-50-M16-200-B0-* | 50 | M 16 | 200 | 6.6 | 38 | 2.5 | 17 | - | - | 12 | 14 | 286 |
| GN 41-50-M16-200-D0-* | 50 | M 16 | 200 | - | - | 2.5 | 17 | - | - | 12 | 14 | 300 |
| GN 41-50-M16-200-D1-* | 50 | M 16 | 200 | - | - | 2.5 | 17 | - | 2 | 12 | 14 | 320 |
| GN 41-50-M16-200-D3-* | 50 | M 16 | 200 | - | - | 2.5 | 17 | 4 | - | 12 | 14 | 324 |
| GN 41-60-M16-75-B0-* | 60 | M 16 | 75 | 6.6 | 48 | 2.5 | 17 | - | - | 12 | 16 | 162 |
| GN 41-60-M16-75-D0-* | 60 | M 16 | 75 | - | - | 2.5 | 17 | - | - | 12 | 16 | 166 |
| GN 41-60-M16-75-D1-* | 60 | M 16 | 75 | - | - | 2.5 | 17 | - | 2 | 12 | 16 | 170 |
| GN 41-60-M16-75-D3-* | 60 | M 16 | 75 | - | - | 2.5 | 17 | 4.5 | - | 12 | 16 | 174 |
| GN 41-60-M16-100-B0-* | 60 | M 16 | 100 | 6.6 | 48 | 2.5 | 17 | - | - | 12 | 16 | 195 |
| GN 41-60-M16-100-D0-* | 60 | M 16 | 100 | - | - | 2.5 | 17 | - | - | 12 | 16 | 199 |
| GN 41-60-M16-100-D1-* | 60 | M 16 | 100 | - | - | 2.5 | 17 | - | 2 | 12 | 16 | 207 |
| GN 41-60-M16-100-D3-* | 60 | M 16 | 100 | - | - | 2.5 | 17 | 4.5 | - | 12 | 16 | 218 |
| GN 41-60-M16-125-B0-* | 60 | M 16 | 125 | 6.6 | 48 | 2.5 | 17 | - | - | 12 | 16 | 227 |
| GN 41-60-M16-125-D0-* | 60 | M 16 | 125 | - | - | 2.5 | 17 | - | - | 12 | 16 | 231 |
| GN 41-60-M16-125-D1-* | 60 | M 16 | 125 | - | - | 2.5 | 17 | - | 2 | 12 | 16 | 239 |
| GN 41-60-M16-125-D3-* | 60 | M 16 | 125 | - | - | 2.5 | 17 | 4.5 | - | 12 | 16 | 255 |

Weight Version T

Levelling elements 11



11
Levelling elements

*Complete with version of the Levelling feet (Wrench flat at the bottom)

T without nut TK with nut

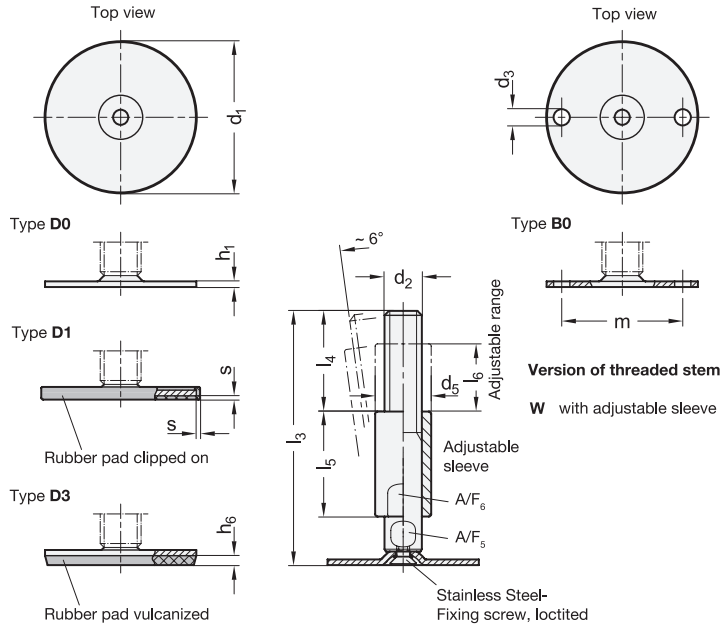
GN 41-T/TK STAINLESS STEEL

| Description | d1 | d2 | l1 | d3 | m | h1 | h4 | h6 | s | A/F ₂ | Static load in kN | |
|-----------------------|----|------|-----|-----|----|-----|----|-----|---|------------------|-------------------|-----|
| GN 41-60-M16-150-BO-* | 60 | M 16 | 150 | 6.6 | 48 | 2.5 | 17 | - | - | 12 | 16 | 259 |
| GN 41-60-M16-150-DO-* | 60 | M 16 | 150 | - | - | 2.5 | 17 | - | - | 12 | 16 | 263 |
| GN 41-60-M16-150-D1-* | 60 | M 16 | 150 | - | - | 2.5 | 17 | - | 2 | 12 | 16 | 271 |
| GN 41-60-M16-150-D3-* | 60 | M 16 | 150 | - | - | 2.5 | 17 | 4.5 | - | 12 | 16 | 282 |
| GN 41-60-M16-200-BO-* | 60 | M 16 | 200 | 6.6 | 48 | 2.5 | 17 | - | - | 12 | 16 | 602 |
| GN 41-60-M16-200-DO-* | 60 | M 16 | 200 | - | - | 2.5 | 17 | - | - | 12 | 16 | 610 |
| GN 41-60-M16-200-D1-* | 60 | M 16 | 200 | - | - | 2.5 | 17 | - | 2 | 12 | 16 | 615 |
| GN 41-60-M16-200-D3-* | 60 | M 16 | 200 | - | - | 2.5 | 17 | 4.5 | - | 12 | 16 | 625 |
| GN 41-80-M16-75-BO-* | 80 | M 16 | 75 | 8.5 | 64 | 3 | 18 | - | - | 12 | 20 | 227 |
| GN 41-80-M16-75-DO-* | 80 | M 16 | 75 | - | - | 3 | 18 | - | - | 12 | 20 | 224 |
| GN 41-80-M16-75-D1-* | 80 | M 16 | 75 | - | - | 3 | 18 | - | 2 | 12 | 20 | 240 |
| GN 41-80-M16-75-D3-* | 80 | M 16 | 75 | - | - | 3 | 18 | 5 | - | 12 | 20 | 261 |
| GN 41-80-M16-100-BO-* | 80 | M 16 | 100 | 8.5 | 64 | 3 | 18 | - | - | 12 | 20 | 260 |
| GN 41-80-M16-100-DO-* | 80 | M 16 | 100 | - | - | 3 | 18 | - | - | 12 | 20 | 259 |
| GN 41-80-M16-100-D1-* | 80 | M 16 | 100 | - | - | 3 | 18 | - | 2 | 12 | 20 | 260 |
| GN 41-80-M16-100-D3-* | 80 | M 16 | 100 | - | - | 3 | 18 | 5 | - | 12 | 20 | 280 |
| GN 41-80-M16-125-BO-* | 80 | M 16 | 125 | 8.5 | 64 | 3 | 18 | - | - | 12 | 20 | 292 |
| GN 41-80-M16-125-DO-* | 80 | M 16 | 125 | - | - | 3 | 18 | - | - | 12 | 20 | 293 |
| GN 41-80-M16-125-D1-* | 80 | M 16 | 125 | - | - | 3 | 18 | - | 2 | 12 | 20 | 305 |
| GN 41-80-M16-125-D3-* | 80 | M 16 | 125 | - | - | 3 | 18 | 5 | - | 12 | 20 | 315 |
| GN 41-80-M16-150-BO-* | 80 | M 16 | 150 | 8.5 | 64 | 3 | 18 | - | - | 12 | 20 | 324 |
| GN 41-80-M16-150-DO-* | 80 | M 16 | 150 | - | - | 3 | 18 | - | - | 12 | 20 | 325 |
| GN 41-80-M16-150-D1-* | 80 | M 16 | 150 | - | - | 3 | 18 | - | 2 | 12 | 20 | 347 |
| GN 41-80-M16-150-D3-* | 80 | M 16 | 150 | - | - | 3 | 18 | 5 | - | 12 | 20 | 360 |
| GN 41-80-M16-200-BO-* | 80 | M 16 | 200 | 8.5 | 64 | 3 | 18 | - | - | 12 | 20 | 367 |
| GN 41-80-M16-200-DO-* | 80 | M 16 | 200 | - | - | 3 | 18 | - | - | 12 | 20 | 368 |
| GN 41-80-M16-200-D1-* | 80 | M 16 | 200 | - | - | 3 | 18 | - | 2 | 12 | 20 | 400 |
| GN 41-80-M16-200-D3-* | 80 | M 16 | 200 | - | - | 3 | 18 | 5 | - | 12 | 20 | 450 |
| GN 41-80-M20-75-BO-* | 80 | M 20 | 75 | 8.5 | 64 | 3 | 19 | - | - | 15 | 20 | 281 |
| GN 41-80-M20-75-DO-* | 80 | M 20 | 75 | - | - | 3 | 19 | - | - | 15 | 20 | 290 |
| GN 41-80-M20-75-D1-* | 80 | M 20 | 75 | - | - | 3 | 19 | - | 2 | 15 | 20 | 295 |
| GN 41-80-M20-75-D3-* | 80 | M 20 | 75 | - | - | 3 | 19 | 5 | - | 15 | 20 | 319 |
| GN 41-80-M20-100-BO-* | 80 | M 20 | 100 | 8.5 | 64 | 3 | 19 | - | - | 15 | 20 | 340 |
| GN 41-80-M20-100-DO-* | 80 | M 20 | 100 | - | - | 3 | 19 | - | - | 15 | 20 | 350 |
| GN 41-80-M20-100-D1-* | 80 | M 20 | 100 | - | - | 3 | 19 | - | 2 | 15 | 20 | 354 |
| GN 41-80-M20-100-D3-* | 80 | M 20 | 100 | - | - | 3 | 19 | 5 | - | 15 | 20 | 364 |
| GN 41-80-M20-125-BO-* | 80 | M 20 | 125 | 8.5 | 64 | 3 | 19 | - | - | 15 | 20 | 390 |

GN 41-T/TK STAINLESS STEEL

| Description | d1 | d2 | l1 | d3 | m | h1 | h4 | h6 | s | A/F ₂ | Static load in kN | |
|-----------------------|----|------|-----|-----|----|----|----|----|---|------------------|-------------------|-----|
| GN 41-80-M20-125-BO-* | 80 | M 20 | 125 | 8.5 | 64 | 3 | 19 | - | - | 15 | 20 | 390 |
| GN 41-80-M20-125-DO-* | 80 | M 20 | 125 | - | - | 3 | 19 | - | - | 15 | 20 | 390 |
| GN 41-80-M20-125-D1-* | 80 | M 20 | 125 | - | - | 3 | 19 | - | 2 | 15 | 20 | 400 |
| GN 41-80-M20-125-D3-* | 80 | M 20 | 125 | - | - | 3 | 19 | 5 | - | 15 | 20 | 414 |
| GN 41-80-M20-150-BO-* | 80 | M 20 | 150 | 8.5 | 64 | 3 | 19 | - | - | 15 | 20 | 441 |
| GN 41-80-M20-150-DO-* | 80 | M 20 | 150 | - | - | 3 | 19 | - | - | 15 | 20 | 441 |
| GN 41-80-M20-150-D1-* | 80 | M 20 | 150 | - | - | 3 | 19 | - | 2 | 15 | 20 | 455 |
| GN 41-80-M20-150-D3-* | 80 | M 20 | 150 | - | - | 3 | 19 | 5 | - | 15 | 20 | 465 |
| GN 41-80-M20-200-BO-* | 80 | M 20 | 200 | 8.5 | 64 | 3 | 19 | - | - | 15 | 20 | 541 |
| GN 41-80-M20-200-DO-* | 80 | M 20 | 200 | - | - | 3 | 19 | - | - | 15 | 20 | 554 |
| GN 41-80-M20-200-D1-* | 80 | M 20 | 200 | - | - | 3 | 19 | - | 2 | 15 | 20 | 555 |
| GN 41-80-M20-200-D3-* | 80 | M 20 | 200 | - | - | 3 | 19 | 5 | - | 15 | 20 | 574 |
| GN 41-80-M24-100-BO-* | 80 | M 24 | 100 | 8.5 | 64 | 3 | 22 | - | - | 19 | 22 | 448 |
| GN 41-80-M24-100-DO-* | 80 | M 24 | 100 | - | - | 3 | 22 | - | - | 19 | 22 | 449 |
| GN 41-80-M24-100-D1-* | 80 | M 24 | 100 | - | - | 3 | 22 | - | 2 | 19 | 22 | 461 |
| GN 41-80-M24-100-D3-* | 80 | M 24 | 100 | - | - | 3 | 22 | 5 | - | 19 | 22 | 474 |
| GN 41-80-M24-125-BO-* | 80 | M 24 | 125 | 8.5 | 64 | 3 | 22 | - | - | 19 | 22 | 528 |
| GN 41-80-M24-125-DO-* | 80 | M 24 | 125 | - | - | 3 | 22 | - | - | 19 | 22 | 529 |
| GN 41-80-M24-125-D1-* | 80 | M 24 | 125 | - | - | 3 | 22 | - | 2 | 19 | 22 | 541 |
| GN 41-80-M24-125-D3-* | 80 | M 24 | 125 | - | - | 3 | 22 | 5 | - | 19 | 22 | 554 |
| GN 41-80-M24-150-BO-* | 80 | M 24 | 150 | 8.5 | 64 | 3 | 22 | - | - | 19 | 22 | 594 |
| GN 41-80-M24-150-DO-* | 80 | M 24 | 150 | - | - | 3 | 22 | - | - | 19 | 22 | 595 |
| GN 41-80-M24-150-D1-* | 80 | M 24 | 150 | - | - | 3 | 22 | - | 2 | 19 | 22 | 607 |
| GN 41-80-M24-150-D3-* | 80 | M 24 | 150 | - | - | 3 | 22 | 5 | - | 19 | 22 | 620 |
| GN 41-80-M24-200-BO-* | 80 | M 24 | 200 | 8.5 | 64 | 3 | 22 | - | - | 19 | 22 | 740 |
| GN 41-80-M24-200-DO-* | 80 | M 24 | 200 | - | - | 3 | 22 | - | - | 19 | 22 | 741 |
| GN 41-80-M24-200-D1-* | 80 | M 24 | 200 | - | - | 3 | 22 | - | 2 | 19 | 22 | 753 |
| GN 41-80-M24-200-D3-* | 80 | M 24 | 200 | - | - | 3 | 22 | 5 | - | 19 | 22 | 766 |

Weight Version T



GN 41-W

STAINLESS STEEL

| Description | d1 | d2 | l3 | d3 | d4 | m | h1 | h6 | l4 | l5 | l6 | s | A/F 5 | A/F 6 | Static load in kN | ⚖️ |
|-----------------------|----|------|-----|-----|----|----|-----|-----|----|----|----|---|-------|-------|-------------------|-----|
| GN 41-60-M16-110-B0-W | 60 | M 16 | 110 | 6.6 | 24 | 48 | 2.5 | - | 45 | 45 | 29 | - | 12 | 20 | 16 | 280 |
| GN 41-60-M16-110-D0-W | 60 | M 16 | 110 | - | 24 | - | 2.5 | - | 45 | 45 | 29 | - | 12 | 20 | 16 | 284 |
| GN 41-60-M16-110-D1-W | 60 | M 16 | 110 | - | 24 | - | 2.5 | - | 45 | 45 | 29 | 2 | 12 | 20 | 16 | 292 |
| GN 41-60-M16-110-D3-W | 60 | M 16 | 110 | - | 24 | - | 2.5 | 4.5 | 45 | 45 | 29 | - | 12 | 20 | 16 | 300 |
| GN 41-60-M16-135-B0-W | 60 | M 16 | 135 | 6.6 | 24 | 48 | 2.5 | - | 45 | 45 | 29 | - | 12 | 20 | 16 | 317 |
| GN 41-60-M16-135-D0-W | 60 | M 16 | 135 | - | 24 | - | 2.5 | - | 45 | 45 | 29 | - | 12 | 20 | 16 | 321 |
| GN 41-60-M16-135-D1-W | 60 | M 16 | 135 | - | 24 | - | 2.5 | - | 45 | 45 | 29 | 2 | 12 | 20 | 16 | 329 |
| GN 41-60-M16-135-D3-W | 60 | M 16 | 135 | - | 24 | - | 2.5 | 4.5 | 45 | 45 | 29 | - | 12 | 20 | 16 | 335 |
| GN 41-60-M16-160-B0-W | 60 | M 16 | 160 | 6.6 | 24 | 48 | 2.5 | - | 45 | 45 | 29 | - | 12 | 20 | 16 | 358 |
| GN 41-60-M16-160-D0-W | 60 | M 16 | 160 | - | 24 | - | 2.5 | - | 45 | 45 | 29 | - | 12 | 20 | 16 | 362 |
| GN 41-60-M16-160-D1-W | 60 | M 16 | 160 | - | 24 | - | 2.5 | - | 45 | 45 | 29 | 2 | 12 | 20 | 16 | 376 |
| GN 41-60-M16-160-D3-W | 60 | M 16 | 160 | - | 24 | - | 2.5 | 4.5 | 45 | 45 | 29 | - | 12 | 20 | 16 | 366 |
| GN 41-60-M16-185-B0-W | 60 | M 16 | 185 | 6.6 | 24 | 48 | 2.5 | - | 45 | 45 | 29 | - | 12 | 20 | 16 | 398 |
| GN 41-60-M16-185-D0-W | 60 | M 16 | 185 | - | 24 | - | 2.5 | - | 45 | 45 | 29 | - | 12 | 20 | 16 | 402 |
| GN 41-60-M16-185-D1-W | 60 | M 16 | 185 | - | 24 | - | 2.5 | - | 45 | 45 | 29 | 2 | 12 | 20 | 16 | 410 |
| GN 41-60-M16-185-D3-W | 60 | M 16 | 185 | - | 24 | - | 2.5 | 4.5 | 45 | 45 | 29 | - | 12 | 20 | 16 | 418 |
| GN 41-80-M16-110-B0-W | 80 | M 16 | 110 | 8.5 | 24 | 64 | 3 | - | 45 | 45 | 29 | - | 12 | 20 | 20 | 345 |
| GN 41-80-M16-110-D0-W | 80 | M 16 | 110 | - | 24 | - | 3 | - | 45 | 45 | 29 | - | 12 | 20 | 20 | 350 |
| GN 41-80-M16-110-D1-W | 80 | M 16 | 110 | - | 24 | - | 3 | - | 45 | 45 | 29 | 2 | 12 | 20 | 20 | 358 |
| GN 41-80-M16-110-D3-W | 80 | M 16 | 110 | - | 24 | - | 3 | 5 | 45 | 45 | 29 | - | 12 | 20 | 20 | 364 |
| GN 41-80-M16-135-B0-W | 80 | M 16 | 135 | 8.5 | 24 | 64 | 3 | - | 45 | 45 | 29 | - | 12 | 20 | 20 | 382 |
| GN 41-80-M16-135-D0-W | 80 | M 16 | 135 | - | 24 | - | 3 | - | 45 | 45 | 29 | - | 12 | 20 | 20 | 387 |
| GN 41-80-M16-135-D1-W | 80 | M 16 | 135 | - | 24 | - | 3 | - | 45 | 45 | 29 | 2 | 12 | 20 | 20 | 400 |
| GN 41-80-M16-135-D3-W | 80 | M 16 | 135 | - | 24 | - | 3 | 5 | 45 | 45 | 29 | - | 12 | 20 | 20 | 405 |
| GN 41-80-M16-160-B0-W | 80 | M 16 | 160 | 8.5 | 24 | 64 | 3 | - | 45 | 45 | 29 | - | 12 | 20 | 20 | 423 |
| GN 41-80-M16-160-D0-W | 80 | M 16 | 160 | - | 24 | - | 3 | - | 45 | 45 | 29 | - | 12 | 20 | 20 | 430 |
| GN 41-80-M16-160-D1-W | 80 | M 16 | 160 | - | 24 | - | 3 | - | 45 | 45 | 29 | 2 | 12 | 20 | 20 | 440 |
| GN 41-80-M16-160-D3-W | 80 | M 16 | 160 | - | 24 | - | 3 | 5 | 45 | 45 | 29 | - | 12 | 20 | 20 | 446 |
| GN 41-80-M16-185-B0-W | 80 | M 16 | 185 | 8.5 | 24 | 64 | 3 | - | 45 | 45 | 29 | - | 12 | 20 | 20 | 463 |

Levelling elements 11

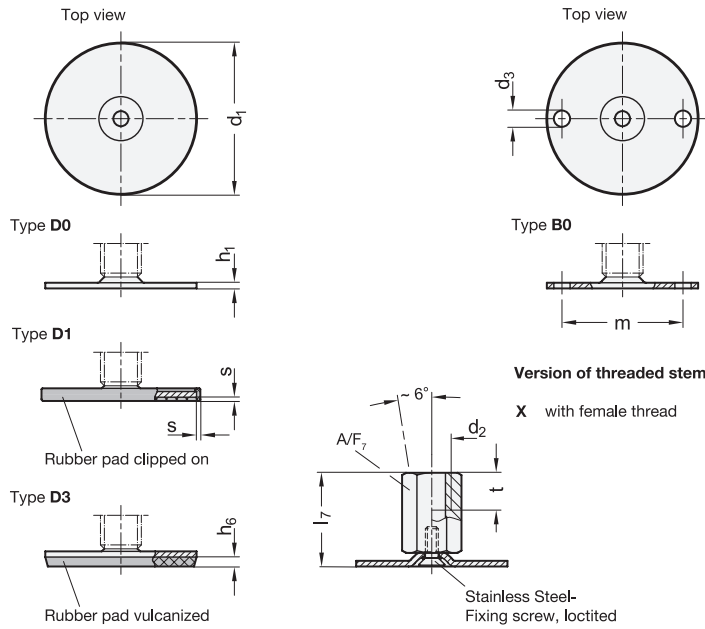


11
Levelling elements

GN 41-W

STAINLESS STEEL

| Description | d1 | d2 | l3 | d3 | d4 | m | h1 | h6 | l4 | l5 | l6 | s | A/F 5 | A/F 6 | Static load in kN | |
|-----------------------|----|------|-----|-----|----|----|----|----|----|----|----|---|-------|-------|----------------------|------|
| GN 41-80-M16-185-D0-W | 80 | M 16 | 185 | - | 24 | - | 3 | - | 45 | 45 | 29 | - | 12 | 20 | 20 | 469 |
| GN 41-80-M16-185-D1-W | 80 | M 16 | 185 | - | 24 | - | 3 | - | 45 | 45 | 29 | 2 | 12 | 20 | 20 | 475 |
| GN 41-80-M16-185-D3-W | 80 | M 16 | 185 | - | 24 | - | 3 | 5 | 45 | 45 | 29 | - | 12 | 20 | 20 | 486 |
| GN 41-80-M20-134-B0-W | 80 | M 20 | 134 | 8.5 | 30 | 64 | 3 | - | 56 | 56 | 37 | - | 16 | 24 | 20 | 561 |
| GN 41-80-M20-134-D0-W | 80 | M 20 | 134 | - | 30 | - | 3 | - | 56 | 56 | 37 | - | 16 | 24 | 20 | 561 |
| GN 41-80-M20-134-D1-W | 80 | M 20 | 134 | - | 30 | - | 3 | - | 56 | 56 | 37 | 2 | 16 | 24 | 20 | 575 |
| GN 41-80-M20-134-D3-W | 80 | M 20 | 134 | - | 30 | - | 3 | 5 | 56 | 56 | 37 | - | 16 | 24 | 20 | 580 |
| GN 41-80-M20-159-B0-W | 80 | M 20 | 159 | 8.5 | 30 | 64 | 3 | - | 56 | 56 | 37 | - | 16 | 24 | 20 | 624 |
| GN 41-80-M20-159-D0-W | 80 | M 20 | 159 | - | 30 | - | 3 | - | 56 | 56 | 37 | - | 16 | 24 | 20 | 624 |
| GN 41-80-M20-159-D1-W | 80 | M 20 | 159 | - | 30 | - | 3 | - | 56 | 56 | 37 | 2 | 16 | 24 | 20 | 638 |
| GN 41-80-M20-159-D3-W | 80 | M 20 | 159 | - | 30 | - | 3 | 5 | 56 | 56 | 37 | - | 16 | 24 | 20 | 645 |
| GN 41-80-M20-184-B0-W | 80 | M 20 | 184 | 8.5 | 30 | 64 | 3 | - | 56 | 56 | 37 | - | 16 | 24 | 20 | 687 |
| GN 41-80-M20-184-D0-W | 80 | M 20 | 184 | - | 30 | - | 3 | - | 56 | 56 | 37 | - | 16 | 24 | 20 | 687 |
| GN 41-80-M20-184-D1-W | 80 | M 20 | 184 | - | 30 | - | 3 | - | 56 | 56 | 37 | 2 | 16 | 24 | 20 | 701 |
| GN 41-80-M20-184-D3-W | 80 | M 20 | 184 | - | 30 | - | 3 | 5 | 56 | 56 | 37 | - | 16 | 24 | 20 | 710 |
| GN 41-80-M20-234-B0-W | 80 | M 20 | 234 | 8.5 | 30 | 64 | 3 | - | 56 | 56 | 37 | - | 16 | 24 | 20 | 810 |
| GN 41-80-M20-234-D0-W | 80 | M 20 | 234 | - | 30 | - | 3 | - | 56 | 56 | 37 | - | 16 | 24 | 20 | 811 |
| GN 41-80-M20-234-D1-W | 80 | M 20 | 234 | - | 30 | - | 3 | - | 56 | 56 | 37 | 2 | 16 | 24 | 20 | 825 |
| GN 41-80-M20-234-D3-W | 80 | M 20 | 234 | - | 30 | - | 3 | 5 | 56 | 56 | 37 | - | 16 | 24 | 20 | 840 |
| GN 41-80-M24-159-B0-W | 80 | M 24 | 159 | 8.5 | 35 | 64 | 3 | - | 67 | 67 | 42 | - | 20 | 30 | 22 | 863 |
| GN 41-80-M24-159-D0-W | 80 | M 24 | 159 | - | 35 | - | 3 | - | 67 | 67 | 42 | - | 20 | 30 | 22 | 870 |
| GN 41-80-M24-159-D1-W | 80 | M 24 | 159 | - | 35 | - | 3 | - | 67 | 67 | 42 | 2 | 20 | 30 | 22 | 876 |
| GN 41-80-M24-159-D3-W | 80 | M 24 | 159 | - | 35 | - | 3 | 5 | 67 | 67 | 42 | - | 20 | 30 | 22 | 889 |
| GN 41-80-M24-209-B0-W | 80 | M 24 | 209 | 8.5 | 35 | 64 | 3 | - | 67 | 67 | 42 | - | 20 | 30 | 22 | 1041 |
| GN 41-80-M24-209-D0-W | 80 | M 24 | 209 | - | 35 | - | 3 | - | 67 | 67 | 42 | - | 20 | 30 | 22 | 1045 |
| GN 41-80-M24-209-D1-W | 80 | M 24 | 209 | - | 35 | - | 3 | - | 67 | 67 | 42 | 2 | 20 | 30 | 22 | 1054 |
| GN 41-80-M24-209-D3-W | 80 | M 24 | 209 | - | 35 | - | 3 | 5 | 67 | 67 | 42 | - | 20 | 30 | 22 | 1067 |
| GN 41-80-M24-259-B0-W | 80 | M 24 | 259 | 8.5 | 35 | 64 | 3 | - | 67 | 67 | 42 | - | 20 | 30 | 22 | 1220 |
| GN 41-80-M24-259-D0-W | 80 | M 24 | 259 | - | 35 | - | 3 | - | 67 | 67 | 42 | - | 20 | 30 | 22 | 1225 |
| GN 41-80-M24-259-D1-W | 80 | M 24 | 259 | - | 35 | - | 3 | - | 67 | 67 | 42 | 2 | 20 | 30 | 22 | 1233 |
| GN 41-80-M24-259-D3-W | 80 | M 24 | 259 | - | 35 | - | 3 | 5 | 67 | 67 | 42 | - | 20 | 30 | 22 | 1246 |



GN 41-X STAINLESS STEEL

| Description | d1 | d2 | l7 | d3 | m | h1 | h6 | s | A/F ₇ | t | Static load in kN |
|----------------------|----|------|----|-----|-----|-----|----|----|------------------|-----|-------------------|
| GN 41-40-M8-25-B0-X | 40 | M 8 | 25 | 5.4 | 30 | 2 | - | - | 14 | 8 | 40 |
| GN 41-40-M8-25-D0-X | 40 | M 8 | 25 | - | - | 2 | - | - | 14 | 8 | 40 |
| GN 41-40-M8-25-D1-X | 40 | M 8 | 25 | - | 2 | 1.5 | 14 | 8 | 8 | 41 | |
| GN 41-40-M10-28-B0-X | 40 | M 8 | 25 | - | 2 | 3.5 | - | - | 14 | 8 | 47 |
| GN 41-40-M10-28-D0-X | 40 | M 10 | 28 | 5.4 | 30 | 2 | - | - | 14 | 10 | 12 |
| GN 41-40-M10-28-D1-X | 40 | M 10 | 28 | - | 2 | 1.5 | 14 | 10 | 12 | 47 | |
| GN 41-40-M10-28-D3-X | 40 | M 10 | 28 | - | 2 | 3.5 | - | - | 14 | 10 | 12 |
| GN 41-40-M12-31-B0-X | 40 | M 12 | 31 | 5.4 | 30 | 2 | - | - | 17 | 12 | 12 |
| GN 41-40-M12-31-D0-X | 40 | M 12 | 31 | - | 2 | - | - | - | 17 | 12 | 12 |
| GN 41-40-M12-31-D1-X | 40 | M 12 | 31 | - | 2 | 1.5 | 17 | 12 | 12 | 70 | |
| GN 41-40-M12-31-D3-X | 40 | M 12 | 31 | - | 2 | 3.5 | - | - | 17 | 12 | 12 |
| GN 41-40-M16-37-D0-X | 40 | M 16 | 37 | - | 2 | - | - | - | 22 | 16 | 12 |
| GN 41-40-M16-37-D1-X | 40 | M 16 | 37 | - | 2 | 1.5 | 22 | 16 | 12 | 101 | |
| GN 41-40-M16-37-D3-X | 40 | M 16 | 37 | - | 2 | 3.5 | - | - | 22 | 16 | 12 |
| GN 41-50-M8-25-B0-X | 50 | M 8 | 25 | 6.6 | 38 | 2.5 | - | - | 14 | 8 | 70 |
| GN 41-50-M8-25-D0-X | 50 | M 8 | 25 | - | 2.5 | - | - | - | 14 | 8 | 70 |
| GN 41-50-M8-25-D1-X | 50 | M 8 | 25 | - | 2.5 | - | 2 | 14 | 8 | 8 | 75 |
| GN 41-50-M8-25-D3-X | 50 | M 8 | 25 | - | 2.5 | 4 | - | - | 14 | 8 | 75 |
| GN 41-50-M10-28-B0-X | 50 | M 10 | 28 | 6.6 | 38 | 2.5 | - | - | 14 | 10 | 14 |
| GN 41-50-M10-28-D0-X | 50 | M 10 | 28 | - | 2.5 | - | - | - | 14 | 10 | 14 |
| GN 41-50-M10-28-D1-X | 50 | M 10 | 28 | - | 2.5 | - | 2 | 14 | 10 | 14 | 73 |
| GN 41-50-M10-28-D3-X | 50 | M 10 | 28 | - | 2.5 | 4 | - | - | 14 | 10 | 14 |
| GN 41-50-M12-32-B0-X | 50 | M 12 | 32 | 6.6 | 38 | 2.5 | - | - | 17 | 12 | 14 |
| GN 41-50-M12-32-D0-X | 50 | M 12 | 32 | - | 2.5 | - | - | - | 17 | 12 | 14 |
| GN 41-50-M12-32-D1-X | 50 | M 12 | 32 | - | 2.5 | - | 2 | 17 | 12 | 14 | 80 |
| GN 41-50-M12-32-D3-X | 50 | M 12 | 32 | - | 2.5 | 4 | - | - | 17 | 12 | 14 |
| GN 41-50-M16-37-B0-X | 50 | M 16 | 37 | 6.6 | 38 | 2.5 | - | - | 22 | 16 | 14 |
| GN 41-50-M16-37-D0-X | 50 | M 16 | 37 | - | 2.5 | - | - | - | 22 | 16 | 14 |
| GN 41-50-M16-37-D1-X | 50 | M 16 | 37 | - | 2.5 | - | 2 | 22 | 16 | 14 | 120 |
| GN 41-50-M16-37-D3-X | 50 | M 16 | 37 | - | 2.5 | 4 | - | - | 22 | 16 | 14 |
| GN 41-60-M8-25-B0-X | 60 | M 8 | 25 | 6.6 | 48 | 2.5 | - | - | 14 | 8 | 90 |
| GN 41-60-M8-25-D0-X | 60 | M 8 | 25 | - | 2.5 | - | - | - | 14 | 8 | 90 |

GN 41-X STAINLESS STEEL

| Description | d1 | d2 | l7 | d3 | m | h1 | h6 | s | A/F ₇ | t | Static load in kN |
|----------------------|----|------|----|-----|-----|-----|-----|----|------------------|----|-------------------|
| GN 41-60-M8-25-D1-X | 60 | M 8 | 25 | - | - | 2.5 | - | 2 | 14 | 8 | 90 |
| GN 41-60-M8-25-D3-X | 60 | M 8 | 25 | - | - | 2.5 | 4.5 | - | 14 | 8 | 95 |
| GN 41-60-M10-28-B0-X | 60 | M 10 | 28 | 6.6 | 48 | 2.5 | - | - | 14 | 10 | 14 |
| GN 41-60-M10-28-D0-X | 60 | M 10 | 28 | - | 2.5 | - | - | - | 14 | 10 | 14 |
| GN 41-60-M10-28-D1-X | 60 | M 10 | 28 | - | 2.5 | - | 2 | 14 | 10 | 14 | 88 |
| GN 41-60-M10-28-D3-X | 60 | M 10 | 28 | - | 2.5 | 4.5 | - | - | 14 | 10 | 14 |
| GN 41-60-M12-32-B0-X | 60 | M 12 | 32 | 6.6 | 48 | 2.5 | - | - | 17 | 12 | 16 |
| GN 41-60-M12-32-D0-X | 60 | M 12 | 32 | - | 2.5 | - | - | - | 17 | 12 | 16 |
| GN 41-60-M12-32-D1-X | 60 | M 12 | 32 | - | 2.5 | - | 2 | 17 | 12 | 16 | 100 |
| GN 41-60-M12-32-D3-X | 60 | M 12 | 32 | - | 2.5 | 4.5 | - | - | 17 | 12 | 16 |
| GN 41-60-M16-37-B0-X | 60 | M 16 | 37 | 6.6 | 48 | 2.5 | - | - | 22 | 16 | 126 |
| GN 41-60-M16-37-D0-X | 60 | M 16 | 37 | - | 2.5 | - | - | - | 22 | 16 | 130 |
| GN 41-60-M16-37-D1-X | 60 | M 16 | 37 | - | 2.5 | - | 2 | 22 | 16 | 16 | 138 |
| GN 41-60-M16-37-D3-X | 60 | M 16 | 37 | - | 2.5 | 4.5 | - | - | 22 | 16 | 140 |
| GN 41-80-M8-26-B0-X | 80 | M 8 | 26 | 8.5 | 64 | 3 | - | - | 14 | 8 | 160 |
| GN 41-80-M8-26-D0-X | 80 | M 8 | 26 | - | 3 | - | - | - | 14 | 8 | 141 |
| GN 41-80-M8-26-D1-X | 80 | M 8 | 26 | - | 3 | - | 2 | 14 | 8 | 8 | 155 |
| GN 41-80-M8-26-D3-X | 80 | M 8 | 26 | - | 3 | 5 | - | - | 14 | 8 | 180 |
| GN 41-80-M10-29-B0-X | 80 | M 10 | 29 | 8.5 | 64 | 3 | - | - | 14 | 10 | 14 |
| GN 41-80-M10-29-D0-X | 80 | M 10 | 29 | - | 3 | - | - | - | 14 | 10 | 14 |
| GN 41-80-M10-29-D1-X | 80 | M 10 | 29 | - | 3 | - | 2 | 14 | 10 | 14 | 160 |
| GN 41-80-M10-29-D3-X | 80 | M 10 | 29 | - | 3 | 5 | - | - | 14 | 10 | 172 |
| GN 41-80-M12-32-B0-X | 80 | M 12 | 32 | 8.5 | 64 | 3 | - | - | 17 | 12 | 20 |
| GN 41-80-M12-32-D0-X | 80 | M 12 | 32 | - | 3 | - | - | - | 17 | 12 | 20 |
| GN 41-80-M12-32-D1-X | 80 | M 12 | 32 | - | 3 | - | 2 | 17 | 12 | 20 | 180 |
| GN 41-80-M12-32-D3-X | 80 | M 12 | 32 | - | 3 | 5 | - | - | 17 | 12 | 20 |
| GN 41-80-M16-38-B0-X | 80 | M 16 | 38 | 8.5 | 64 | 3 | - | - | 22 | 16 | 20 |
| GN 41-80-M16-38-D0-X | 80 | M 16 | 38 | - | 3 | - | - | - | 22 | 16 | 20 |
| GN 41-80-M16-38-D1-X | 80 | M 16 | 38 | - | 3 | - | 2 | 22 | 16 | 20 | 220 |
| GN 41-80-M16-38-D3-X | 80 | M 16 | 38 | - | 3 | 5 | - | - | 22 | 16 | 221 |
| GN 41-80-M20-45-B0-X | 80 | M 20 | 45 | 8.5 | 64 | 3 | - | - | 27 | 20 | 253 |
| GN 41-80-M20-45-D0-X | 80 | M 20 | 45 | - | 3 | - | - | - | 27 | 20 | 260 |
| GN 41-80-M20-45-D1-X | 80 | M 20 | 45 | - | 3 | - | 2 | 27 | 20 | 20 | 300 |
| GN 41-80-M20-45-D3-X | 80 | M 20 | 45 | - | 3 | 5 | - | - | 27 | 20 | 270 |

